

Ball Valves

Type 15085, Type 15086 - Ball Valve reduced bore



Cryogenic-3-Piece-Ball Valve

Stainless steel body and topwork,
 "live loaded" gland packing
 "cleaned and degreased for oxygen service"
 with upstream pressure relief hole
 Marking acc. to EN 1626 and EN 12567

Part No. 15085.X.0020

Socket weld connection for stainless steel pipes acc. to ISO 1127

Part No. 15086.X.0020

Butt weld connection for stainless steel pipes acc. to ISO 1127

Available options - on request only:

- End connection for pipes acc. to ASTM A312 S10/S40
- Female thread connection NPT acc. to ANSI B 1.20.1 (**Part No. 15087**)
- Female thread connection G (BSPP) acc. to ISO 228/1 (**Part No. 15088**)
- Stainless steel lockable handle
- With pneumatic actuator
- ATEX Ex II 2GD



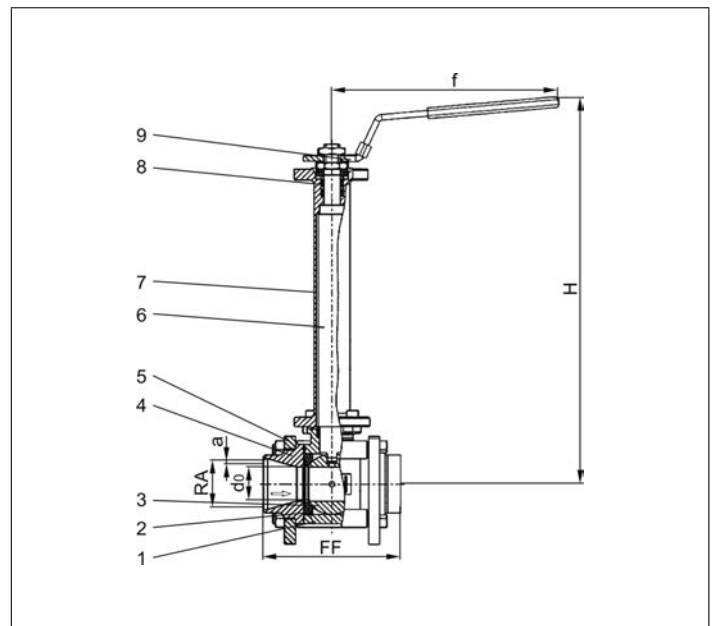
Applications:

Approved for air gases, vapours and cryogenic liquefied gases.

Working temperature: -200°C / -328°F (73K) up to +200°C / +392°F (473K)

Materials	DIN EN	ASTM
1 Body	1.4409	A 351 CF3M
2 Ball seat	PTFE / Carbon filled (25%)	
3 Ball	1.4409	A 351 CF3M
4 Fitting	1.4404	A 276 Grade 316L
5 Flange	1.4306	A 276 Grade 304L
6 Stem	1.4404	A 276 Grade 316L
7 Elongation tube	1.4306	A 312 TP 304L
8 Gland packing up to DN50	33% C + 2% Gr PTFE	
8a Gland packing from DN65	PTFE	
9 Lever	1.1181	1035

Standard marking acc. to Pressure Equipment Directive 97/23/EC (PED).



Type 15085, 15086	Technical data										
	DN	15	20	25	32	40	50	65	80	100	125
Nominal size	.X.	1521	2026	2533	3242	4048	5060	6576	8088	0114	0141
Dimension code	.X.	1521	2026	2533	3242	4048	5060	6576	8088	0114	0141
Nominal pressure	PN	100	100	100	70	70	50	50	40	40	25
Face-to-face dimension	FF	65	70	85	100	110	125	150	180	210	230
Height	H	230	276	280	321	326	346	426	438	471	471
Outside pipe-Ø ISO 1127	RA	21.3	26.9	33.7	42.4	48.3	60.3	76.1	88.9	114.3	139.7
Wall thickness pipe ISO 1127	a	2.0	2.0	2.0	2.6	2.6	2.9	2.9	2.9	3.2	3.0
Orifice	d ₀	11.1	14.0	19.0	25.0	32.0	38.0	50.0	64.0	76.0	100.0
Length	f	118	158	158	188	188	225	370	440	505	710
Weight	ca. kg	1.45	2.35	3.05	4.55	6.30	11.10	20.15	32.22	45.00	48.50
Kvs-Value	m ³ /h	8.0	13.0	26.0	46.0	82.0	120.0	223.0	397.0	560.0	942.0
Cv-Value	gal/min	9.2	15.0	30.0	53.2	94.8	138.7	257.8	456.6	644.0	1083.3

Dimensions in mm.