

Overflow Valves

Type 06195



Overflow Valve, angle type, bronze, not type tested

with soft valve seal, closed bonnet,
In- and Outlet: female thread type G (BSPP) acc. to ISO 228/1

Part No. 06195.X.0000

with NBR valve seal
Working temperature: -10°C / +14°F (263K) up to +110°C / +230°F (383K)

Part No. 06195.X.0700

with FPM valve seal
Working temperature: -10°C / +14°F (263K) up to +165°C / +329°F (438K)

Available options - on request only:

- stainless steel spring - material 1.4571
- external parts nickel plated



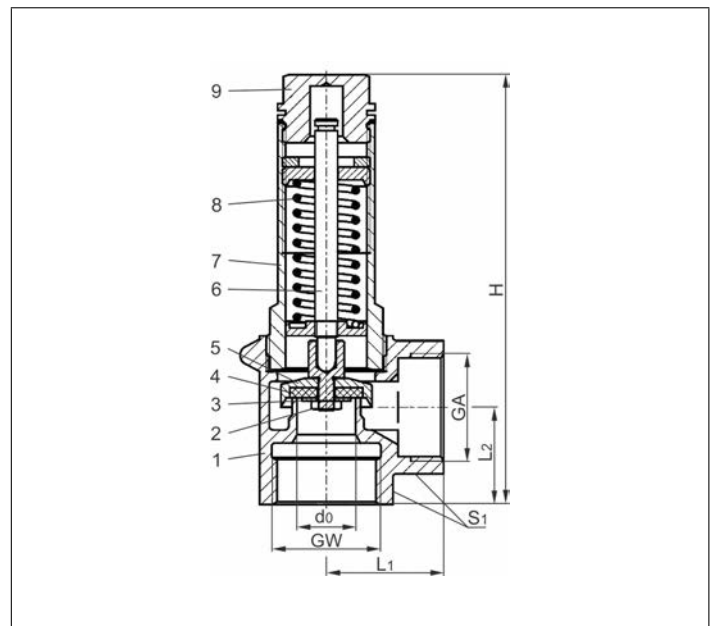
Applications:

Provided as overflow valve for protection against excessive pressure in pipe systems and pressure vessels, which are not subject to approval.

| Materials | DIN EN | ASTM |
|--------------|------------|------------------|
| 1 Body | CC491K | B 62 UNS C83600 |
| 2 Disc nut | CW614N | B 249 UNS C38500 |
| 3 Plate | CW507L | B 36 UNS C26800 |
| 4 Valve seal | NBR or FPM | |
| 5 Disc | CW614N | B 249 UNS C38500 |
| 6 Stem | CW614N | B 249 UNS C38500 |
| 7 Bonnet | CW614N | B 249 UNS C38500 |
| 8 Spring | 1.1200 | A 227 |
| 9 Cap | CW614N | B 249 UNS C38500 |

Essential: Valves are delivered at a set pressure, therefore when ordering please confirm set pressure, medium and temperature.

Not to use as equipment with safety function acc. to Pressure Equipment Directive 97/23/EC (PED) (CE marking only from size 1-1/4).



| Type 06195 | Technical data | | | | | | |
|--------------------------|----------------|--------|--------|--------|--------|--------|--------|
| Nominal size | GW | 1/2 | 3/4 | 1 | 1-1/4 | 1-1/2 | 2 |
| Orifice | d ₀ | 12 | 15 | 18 | 20 | 24 | 28 |
| Dimension code | .X. | 0400 | 0600 | 1000 | 1200 | 1400 | 2000 |
| Set pressure range | bar | 0.5-25 | 0.2-20 | 0.5-16 | 0.5-16 | 0.2-16 | 0.2-16 |
| Outlet | GA | 1/2 | 3/4 | 1 | 1-1/4 | 1-1/2 | 2 |
| Height | H | 90 | 110 | 130 | 150 | 170 | 195 |
| Length | L ₁ | 25 | 30 | 36 | 40 | 48 | 56 |
| Length | L ₂ | 20 | 25 | 30 | 35 | 40 | 48 |
| Wrench size across flats | S ₁ | 27 | 32 | 41 | 50 | 58 | 70 |
| Weight | ca. kg | 0.21 | 0.36 | 0.65 | 0.95 | 1.5 | 2.25 |

Dimensions in mm.

Overflow Valves

Type 06195



Discharge capacities

Calculation of mass flow acc. to AD2000-Merkblatt A2

Medium:

Air in m³/h at 0°C and 1013.25 mbar

Water in kg/h at 20 °C

The capacity indicated below is for a fully opened valve.

d₀ - orifice

A₀ - flow area

| Set pressure in bar (g) | GW | 1/2 | 3/4 | 1 | 1-1/4 | 1-1/2 | 2 | 1/2 | 3/4 | 1 | 1-1/4 | 1-1/2 | 2 |
|-------------------------|-----------------------------------|-------|-------|-------|-------|-------|-------|-------|-------|-------|-------|-------|-------|
| | d ₀ (mm) | 12.0 | 15.0 | 18.0 | 20.0 | 24.0 | 28.0 | 12.0 | 15.0 | 18.0 | 20.0 | 24.0 | 28.0 |
| | A ₀ (mm ²) | 113.1 | 176.7 | 254.5 | 314.2 | 452.4 | 615.8 | 113.1 | 176.7 | 254.5 | 314.2 | 452.4 | 615.8 |
| Medium | Air | | | | | | | Water | | | | | |
| 0.2 | - | 40 | - | - | - | 123 | 159 | - | 1330 | - | - | 5298 | 6525 |
| 0.5 | 47 | 63 | 117 | 158 | 208 | 277 | 1025 | 1881 | 3111 | 4832 | 7493 | 9227 | |
| 1.0 | 68 | 89 | 172 | 230 | 306 | 407 | 1389 | 2547 | 4212 | 6542 | 10146 | 12494 | |
| 2.0 | 113 | 139 | 284 | 386 | 505 | 660 | 1964 | 3603 | 5957 | 9252 | 14348 | 17670 | |
| 3.0 | 156 | 192 | 389 | 527 | 692 | 906 | 2405 | 4412 | 7296 | 11332 | 17573 | 21641 | |
| 4.0 | 196 | 241 | 488 | 661 | 869 | 1137 | 2778 | 5095 | 8424 | 13085 | 20292 | 24989 | |
| 5.0 | 236 | 291 | 589 | 797 | 1048 | 1371 | 3105 | 5697 | 9419 | 14629 | 22687 | 27938 | |
| 6.0 | 276 | 340 | 689 | 932 | 1225 | 1603 | 3402 | 6240 | 10318 | 16025 | 24852 | 30605 | |
| 7.0 | 316 | 389 | 788 | 1067 | 1402 | 1835 | 3675 | 6740 | 11145 | 17310 | 26843 | 33057 | |
| 8.0 | 357 | 440 | 891 | 1205 | 1584 | 2073 | 3928 | 7206 | 11914 | 18505 | 28697 | 35340 | |
| 9.0 | 398 | 489 | 990 | 1340 | 1761 | 2305 | 4167 | 7643 | 12637 | 19627 | 30438 | 37483 | |
| 10.0 | 439 | 540 | 1093 | 1479 | 1943 | 2543 | 4392 | 8056 | 13320 | 20689 | 32084 | 39511 | |
| 12.0 | 519 | 638 | 1293 | 1750 | 2298 | 3008 | 4811 | 8825 | 14592 | 22664 | 35146 | 43282 | |
| 14.0 | 599 | 737 | 1493 | 2020 | 2654 | 3474 | 5197 | 9533 | 15761 | 24480 | 37962 | 46750 | |
| 16.0 | 680 | 836 | 1693 | 2291 | 3010 | 3940 | 5556 | 10191 | 16849 | 26170 | 40584 | 49978 | |
| 18.0 | 760 | 935 | - | - | - | - | 5893 | 10809 | 17871 | - | - | - | |
| 20.0 | 849 | 1044 | - | - | - | - | 6211 | 11394 | 18838 | - | - | - | |
| 22.0 | 930 | - | - | - | - | - | 6515 | - | 19757 | - | - | - | |
| 25.0 | 1052 | - | - | - | - | - | 6945 | - | 21062 | - | - | - | |