

# Overflow Valves

## Type 06198



### Overflow Valve, angle type, bronze, not type tested

with adjusting device,  
with soft valve seal, closed bonnet,  
In- and outlet: female thread type G (BSPP) acc. to ISO 228/1

#### Part No. 06198.X.0000

with PTFE valve seal  
Working temperature: -10°C / +14°F (263K) up to +185°C / +365°F (458K)

#### Part No. 06198.X.0700

with FPM valve seal  
Working temperature: -10°C / +14°F (263K) up to +165°C / +329°F (438K)

Available options - on request only:

- other spring ranges acc. to customer specification
- stainless steel spring - material 1.4571
- external parts nickel plated



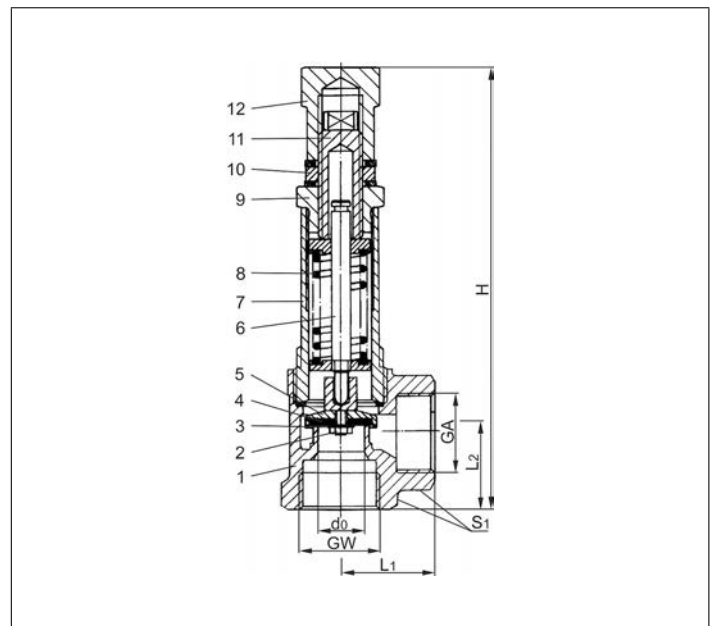
### Applications:

Provided as overflow valve for protection against excessive pressure in pipe systems and pressure vessels, which are not subject to approval.

Materials	DIN EN	ASTM
1 Body	CC491K	B 62 UNS C83600
2 Disc nut	CW614N	B 249 UNS C38500
3 Plate	CW614N	B 249 UNS C38500
4 Valve seal	PTFE or FPM	
5 Disc	CW614N	B 249 UNS C38500
6 Stem	CW614N	B 249 UNS C38500
7 Bonnet	CW614N	B 249 UNS C38500
8 Spring	1.1200	A 227
9 Cap	CW614N	B 249 UNS C38500
10 Nut	CW614N	B 249 UNS C38500
11 Adjusting screw	CW614N	B 249 UNS C38500
12 Closing cap	CW614N	B 249 UNS C38500

**Important:** Adjusting ranges of springs are marked with a label on the bonnet.

Not to use as equipment with safety function acc. to Pressure Equipment Directive 97/23/EC (PED) (No CE marking).



Type 06198	Technical data				(1-1/4, 1-1/2 & 2 in preparation)			
	Nominal size	GW	1/2	3/4	1	1-1/4	1-1/2	2
Orifice	d <sub>0</sub>	12	15	18	20	24	28	
Dimension code	.X.	0400	0600	1000	1200	1400	2000	
Set pressure PTFE valve seal	bar	12.0-25	2.0-25	2.0-25	-	-	-	
Set pressure FPM valve seal	bar	0.8-25	5.0-12	5.0-12	-	-	-	
Outlet	GA	1/2	3/4	1	-	-	-	
Height	H	113	145	165	-	-	-	
Length	L <sub>1</sub>	25	30	36	-	-	-	
Length	L <sub>2</sub>	20	25	30	-	-	-	
Wrench size across flats	S <sub>1</sub>	27	32	41	-	-	-	
Weight	ca. kg	0.30	0.55	0.85	-	-	-	

Dimensions in mm.

# Overflow Valves

## Type 06198



### Discharge capacities

Calculation of mass flow acc. to AD2000-Merkblatt A2

Medium:

Air in m<sup>3</sup>/h at 0°C and 1013.25 mbar

The capacity indicated below is for a fully opened valve.

d<sub>0</sub> - orifice

A<sub>0</sub> - flow area

Set pressure in bar (g)	GW	1/2	3/4	1	1-1/4	1-1/2	2
	d <sub>0</sub> (mm)	12.0	15.0	18.0	20.0	24.0	28.0
	A <sub>0</sub> (mm <sup>2</sup> )	113.1	176.7	254.5	314.2	452.4	615.8
Medium		Air					
0.8		24	-	-	-	-	-
1.0		26	-	-	-	-	-
1.5		33	-	-	-	-	-
1.99		40	-	-	-	-	-
2.0		37	46	13	-	-	-
3.0		50	62	28	-	-	-
3.99		63	77	45	-	-	-
4.0		53	77	45	-	-	-
4.99		64	93	68	-	-	-
5.0		64	70	68	-	-	-
6.0		75	82	93	-	-	-
7.0		86	94	128	-	-	-
8.0		97	106	161	-	-	-
9.0		108	118	197	-	-	-
10.0		119	129	245	-	-	-
11.99		141	153	335	-	-	-
12.0		169	119	335	-	-	-
14.0		195	138	397	-	-	-
16.0		222	156	460	-	-	-
18.0		248	175	527	-	-	-
19.99		274	193	597	-	-	-
20.0		274	193	446	-	-	-
22.0		300	212	489	-	-	-
22.99		313	221	502	-	-	-
23.0		313	221	502	-	-	-
25.0		340	240	553	-	-	-

	GW	1/2	3/4	1	1-1/4	1-1/2	2
<b>Part No. spring</b>	<b>Pressure range of springs in bar</b>						
<b>Material 1.1200</b>							
55341.0091.2780	0.8-1.99	-	-	-	-	-	-
55341.0092.2780	2.0-3.99	-	-	-	-	-	-
55341.0152.1780	4.0-11.99	-	-	-	-	-	-
55341.0193.2780	12.0-25.0	-	-	-	-	-	-
55341.0194.1780	-	2.0-4.99	-	-	-	-	-
55341.0078.0780	-	5.0-11.99	-	-	-	-	-
55341.0104.1780	-	12.0-22.99	-	-	-	-	-
55341.0196.1780	-	23.0-25.0	-	-	-	-	-
55341.0217.0780	-	-	2.0-19.99	-	-	-	-
55341.0199.1780	-	-	20.0-25.0	-	-	-	-

	GW	1/2	3/4	1	1-1/4	1-1/2	2
<b>Part No. spring</b>	<b>Pressure range of springs in bar</b>						
<b>Material 1.4571</b>							
55345.0117.1767	-	-	2.0-3.99	-	-	-	-
55345.0119.1767	-	-	4.0-9.99	-	-	-	-
55345.0234.1767	-	-	10.0-15.99	-	-	-	-
55345.0236.1767	-	-	16.0-25.0	-	-	-	-