

# Safety Valves

## Type 06218, Type 06219



Safety Valves, brass,  
type tested TÜV-SV.1090. D/G

Full lift safety valve  
with PTFE O-Ring valve seal,  
open bonnet, with discharge holes  
Inlet: male thread type G (BSPP) acc. to ISO 228/1

Part No. 06218.X.0000

Part No. 06219.X.0000

with lifting device

Available options - on request only:

- external parts nickel plated



### Applications:

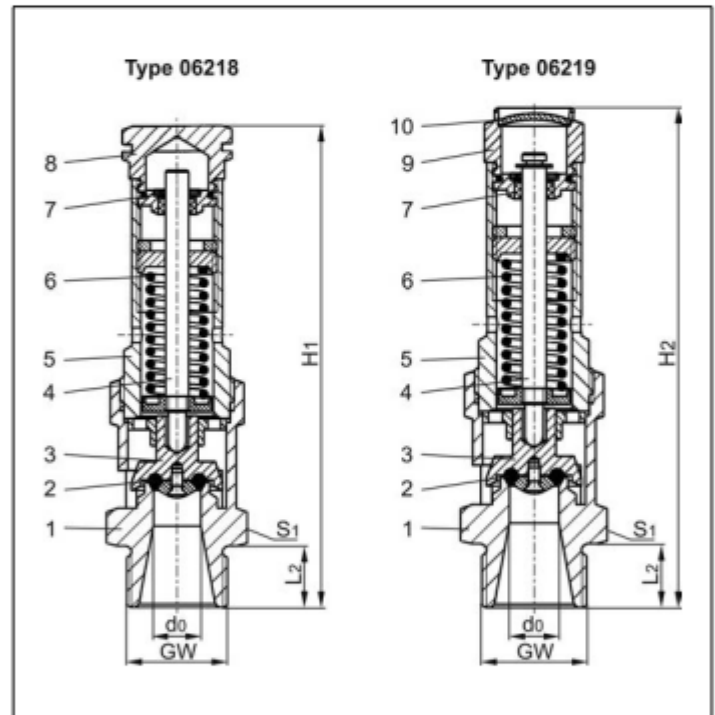
Provided as safety device for protection against excessive pressure in stationary and moveable gas cylinders and pressure vessels. Approved for air and similar gases.

Working temperature: -60°C / -76°F (213K) up to +150°C / +302°F (423K), suitable for horizontal installation

Materials	DIN EN	ASME/ASTM
1 Body	CW617N	EN 12165
2 Valve seal	PTFE O-Ring	
3 Disc	CW614N	EN 12164
4 Stem	CW614N	EN 12164
5 Bonnet	CW614N	EN 12164
6 Spring	1.4571	A 313 Grade 316Ti
7 Stem guide	PTFE	
8 Cap	CW614N	EN 12164
9 Lifting device	CW614N	EN 12164
10 Closing cap	CW507L	B 36 UNS C26800

**Essential:** Valves are delivered at a set pressure, therefore when ordering please confirm set pressure, medium and temperature.

Standard marking acc. to Pressure Equipment Directive 97/23/EC (PED).



Type 06218 & 06219	Technical data		
Nominal size	GW	1/2	3/4
Orifice	d <sub>0</sub>	12.5	12.5
Dimension code	.X.	0400	0600
Set pressure range	bar	3.0-16.0	3.5-17.0
Height	H <sub>1</sub>	102	121.5
Height	H <sub>2</sub>	106	126
Length	L <sub>2</sub>	14	16
Wrench size across flats	S <sub>1</sub>	27	32
Weight	ca. kg	0.25	0.40
Coeff. of discharge	α <sub>w</sub>	0.26	0.75

Dimensions in mm.