

Safety Valves

Type 06345, Type 06346



Safety Valves, angle type, cast steel, type tested, TÜV-SV.576. D/G/F

Full lift safety valve

Standard safety valve for fluids

metal to metal seated, with lifting device,
with enlarged outlet

Inlet: Flanged connection acc. to DIN EN 1092-1 PN40

Outlet: Flanged connection acc. to DIN EN 1092-1 PN16

Part No. 06345.X.0000

open bonnet

Part No. 06346.X.0000

closed bonnet

Available options - on request only:

· Disc with soft sealing · Extended pressure and temperature ranges



Applications:

Provided as safety device for protection against excessive pressure in pressure vessels.

Approved for gases, vapours and fluids.

Working temperatures: -85°C / -121°F (188K) up to +450°C / +842°F (723K)

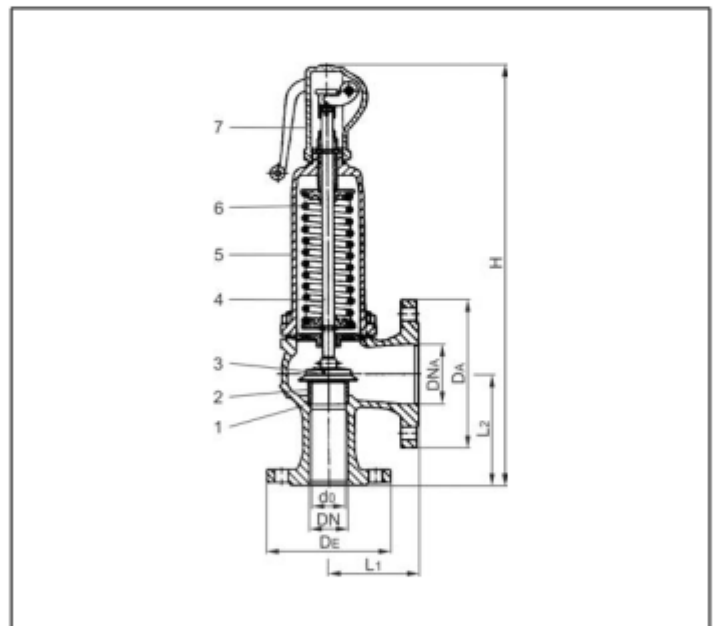
Materials	DIN EN	ASME/ASTM
1 Body	1.0619	A 216 Grade WCB
2 Seat	1.4404	A 276 Grade 316L
3 Disc	1.4122	no reference
4 Stem	1.4021	A 276 Grade 420
5 Spring	1.1200	A 227
6 Bonnet	1.0619	A 216 Grade WCB
7 Lifting device	0.7040	A 536-87 Gr. 60-40-18

Essential: Valves are delivered at a set pressure, therefore when ordering please confirm set pressure, medium and temperature.

Standard marking acc. to Pressure Equipment Directive 97/23/EC (PED).



Marking acc. to ASME Code Section VIII.



Type 06345. 06346	Technical data									
Nominal size	DN	25	32	40	50	65	80	100	125	150
Outlet	DN	40	50	65	80	100	125	150	200	250
Orifice	d ₀	23	29	37	46	60	74	92	98	125
Dimension code	.X.	0250	0320	0400	0500	0650	0800	1000	1250	1500
Set pressure saturated steam	bar	0.2-32	0.2-32	0.2-32	0.2-32	0.2-32	0.2-32	0.2-32	0.2-24	0.2-16
Set pressure air and fluids	bar	0.2-40	0.2-40	0.2-40	0.2-40	0.2-34	0.2-34	0.2-32	0.2-24	0.2-16
Flange diameter	D _E	115	140	150	165	185	200	220	250	285
Flange diameter	D _A	150	165	185	200	220	250	285	340	405
Height Type 06345	H	338	440	506	563	696	798	880	910	1020
Height Type 06346	H	339	446	512	569	702	801	883	913	1020
Length	L ₁	100	110	115	120	140	160	180	200	225
Length	L ₂	105	115	140	150	170	195	220	250	285
Weight	ca. kg	9.0	12.0	16.0	22.0	32.0	56.0	75.0	85.0	131.0
Coeff. of discharge gases, vapours	α _w	0.70	0.70	0.70	0.70	0.70	0.70	0.70	0.70	0.70
Coeff. of discharge fluids	α _w	0.45	0.45	0.45	0.45	0.45	0.45	0.45	0.45	0.45

Dimensions in mm.