

Safety Valves

Type 06505



Safety Valves, brass,
type tested TÜV-SV.948 Liquid/ Granular/ Powder

Standard safety valve
with FPM valve seal, closed bonnet,
with diaphragm for protection of the spring, with lifting device,
discharge holes with protection cap
Inlet: male thread type G (BSPP) acc. to ISO 228/1

Part No. 06505.X.1000

Available options - on request only:
· external parts nickel plated



Applications:

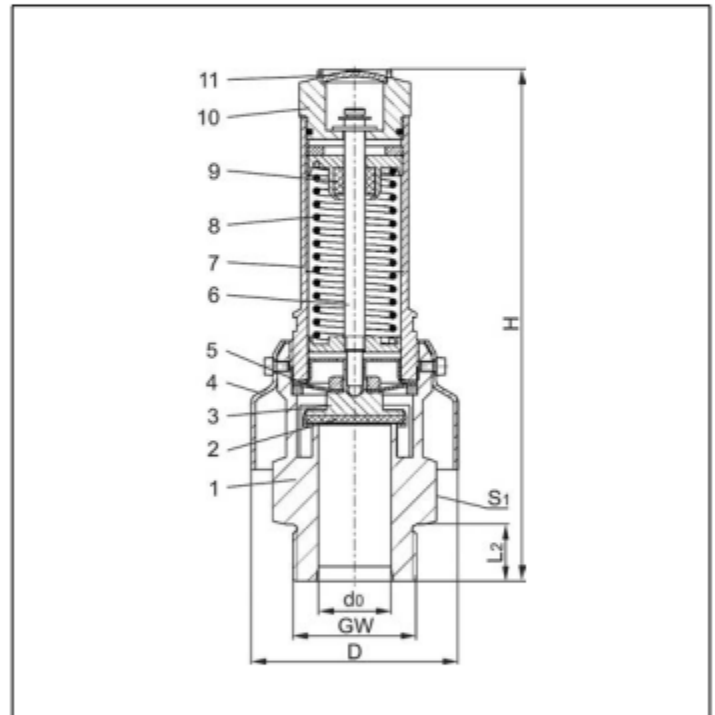
Provided as safety device for protection against excessive pressure in vehicle containers and pressure vessels. Approved for liquid, granular and powdery goods.

Working temperature: -40°C / -40°F (233K) up to +200°C / +392°F (473K)

Materials	DIN EN	ASME/ASTM
1 Body	CW614N	B 249 UNS C38500
2 Valve seal	FPM (Viton-GLT)	
3 Disc	CW614N	B 249 UNS C38500
4 Protection cap	1.4301	A 240 Grade 304
5 Diaphragm	Silicon	
6 Stem	CW614N	B 249 UNS C38500
7 Bonnet	CW614N	B 249 UNS C38500
8 Spring	1.4571	A 313 Grade 316Ti
9 Stem guide	PTFE	
10 Lifting device	CW614N	B 249 UNS C38500
11 Closing cap	CW507L	B 36 UNS C26800

Essential: Valves are delivered at a set pressure, therefore when ordering please confirm set pressure, medium and temperature.

Standard marking acc. to Pressure Equipment Directive 97/23/EC (PED).



Type 06505	Technical data						
Nominal size	GW	1	1-1/4	1-1/2	1-1/4	1-1/2	2
Orifice	d ₀	24	28	28	31	31	48
Dimension code	.X.	1000	2812	2814	3112	3114	2000
Set pressure range	bar	0.5-6.0	0.5-4.5	0.5-4.5	0.5-6.0	0.5-6.0	0.5-3.5
Height	H	194	198	198	191	191	232
Length	L ₂	18	22	22	22	22	25
Protection cap diameter	D	80	80	80	80	80	115
Wrench size across flats	S ₁	55	55	55	55	55	85
Weight	ca. kg	1.75	1.85	1.90	2.00	2.30	4.5
Coeff. of discharge from 3.0 bar	α _w	0.62	0.58	0.58	0.68	0.68	0.52
Coeff. of discharge from 3.5 bar	α _w	-	-	-	0.65	0.65	-
Coeff. of discharge from 4.5 bar	α _w	0.57	-	-	-	-	-

Dimensions in mm.