

# Safety Valves

## Type 06605



Safety Valves, angle type, bronze, type tested TÜV-SV.1080. D/G

Standard safety valve  
with O-ring valve seal,  
closed bonnet, with lifting device,  
with enlarged outlet

Inlet: male thread NPT acc. to ANSI B 1.20.1

Outlet: female thread type G (BSPP) acc. to ISO 228/1

**Part No. 06605.1204.0000**

Available options - on request only:

- external parts nickel plated



### Applications:

Provided as safety device for protection against excessive pressure in gas cylinders and pressure vessels.

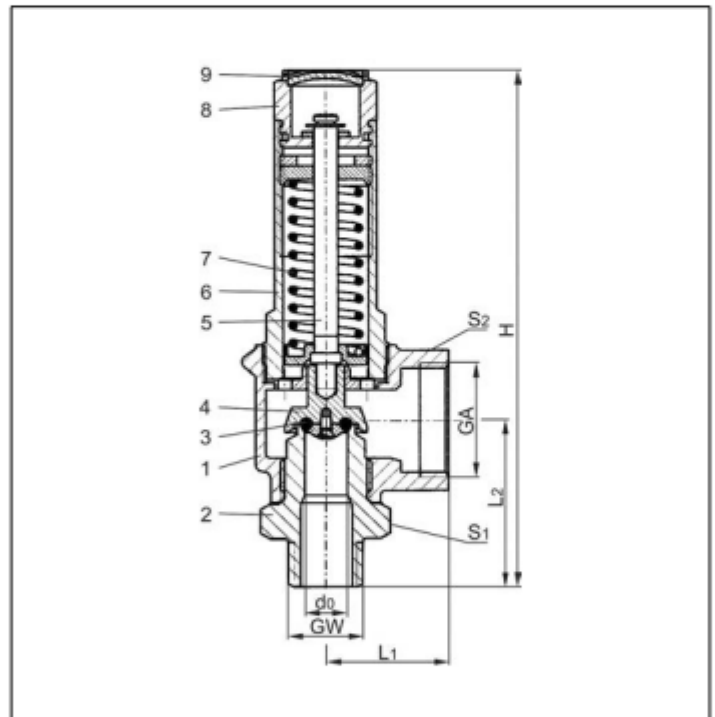
Approved for gases and vapours, preferably for non-inflammable refrigerants acc. to EN 378-1.

Working temperature: -50°C / -58°F (223K) up to +150°C / +316°F (423K)

Materials	DIN EN	ASME/ASTM
1 Body	CC491K	B 62 UNS C83600
2 Inlet body	CW614N	B 111 UNS C28000
3 O-ring	PTFE	
4 Disc	CW614N	B 249 UNS C38500
5 Stem	CW614N	B 249 UNS C38500
6 Bonnet	CW614N	B 249 UNS C38500
7 Spring	1.4571	A 313 Grade 316Ti
8 Lifting device	CW614N	B 249 UNS C38500
9 Closing cap	CW507L	B 36 UNS C26800

**Essential:** Valves are delivered at a set pressure, therefore when ordering please confirm set pressure, medium and temperature.

Standard marking acc. to Pressure Equipment Directive 97/23/EC (PED).



Type 06605	Technical data	
Nominal size	<b>GW</b>	1/2
Orifice	d <sub>0</sub>	12.5
Set pressure range	bar	14.0-30
Outlet	GA	1
Height	H	151
Length	L <sub>1</sub>	36
Length	L <sub>2</sub>	48
Wrench size across flats	S <sub>1</sub>	32
Wrench size across flats	S <sub>2</sub>	41
Weight	ca. kg	0.7
Coefficient of discharge	α <sub>w</sub>	0.7

Dimensions in mm.