

Safety Valves

Type 06850, Type 06855



CRYONICA
КРИОГЕННЫЕ ТЕХНОЛОГИИ



Safety Valves, angle type, stainless steel, type tested, TÜV-SV.1130. D/G/F

Standard safety valve
metal to metal seated,
closed gastight bonnet

Inlet: male thread type G (BSPP) acc. to ISO 228/1
Outlet: female thread type G (BSPP) acc. to ISO 228/1

Part No. 06850.X.0000

with gastight cap

Part No. 06855.X.0000

with lifting device

Available options - on request only:

- Flange connection for in- and outlet
- Tri-Clamp connection for in- and outlet

Applications:

Provided as safety device for protection against excessive pressure in pressure vessels. Approved for gases, vapours and fluids.

Working temperature: -270°C / -454°F (3K) up to +400°C / +752°F (673K)

Pressure-temperature must be observed



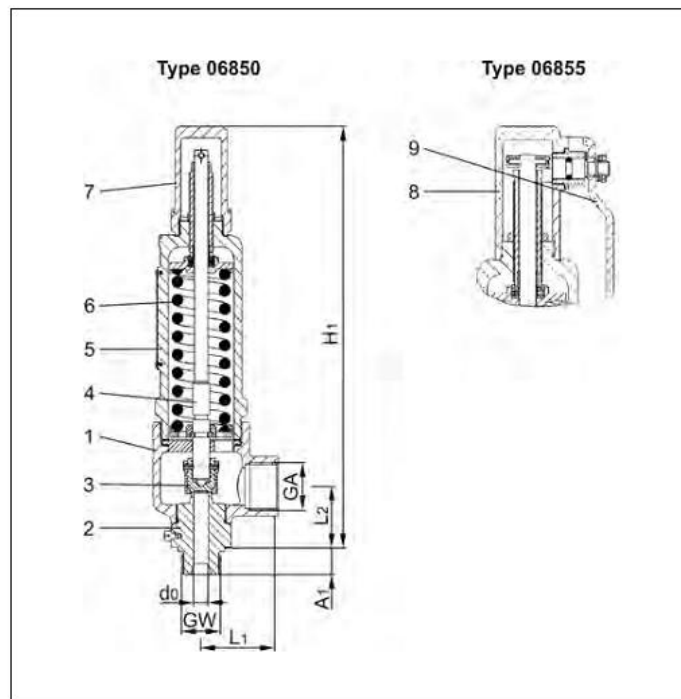
Materials	DIN EN	ASTM
1 Outlet body	1.4408	A 351 CF 8M
2 Inlet body	1.4571	A 276 Grade 316Ti
3 Disc	1.4571	A 276 Grade 316Ti
4 Stem	1.4404	A 276 Grade 316L
5 Bonnet	1.4404	A 276 Grade 316L
6 Spring	1.4571	A 313 Grade 316Ti
7 Cap	1.4404	A 276 Grade 316L
8 Lifting cap	1.4404	A 276 Grade 316L
9 Lever	1.4408	A 351 CF 8M

Essential: Valves are delivered at a set pressure, therefore when ordering please confirm set pressure, medium and temperature.

Standard marking acc. to Pressure Equipment Directive 97/23/EG (PED).



Marking acc. to Directive 99/36/EG (TPED) will only be carried out by written notice on purchase order.



Type 06850, 06855	Technical data			
Nominal size	GW	1/2	3/4	1
Orifice	d ₀	10.0	10.0	10.0
Dimension code	.X.	1024	1034	1044
Set pressure range	bar	0.5-250	0.5-250	0.5-250
Outlet	GA	1	1	1
Height	H ₁	291	291	291
Length	L ₁	53	53	53
Length	L ₂	44.5	44.5	44.5
Length	A ₁	14	16	18
Weight 06850	ca. kg	3.2	3.2	3.2
Weight 06855	ca. kg	3.4	3.4	3.4
Coeff. of discharge gases, vapours	α _w	0.84	0.84	0.84
Coeff. of discharge fluids	α _w	0.68	0.68	0.68

Abmessungen in mm.

Компания CRYONICA:

Tel: +7 (3412) 320 597;

E mail: info@predklapan.ru ;

WWW: predklapan.ru
Edition 2012-07