

Safety Valves

Type 06310



Safety Valves, angle type, ductile casting GGG-40.3, type tested, TÜV-SV.909. D/G/F

Full lift safety valve
 Standard safety valve for fluids
 metal to metal seated,
 closed bonnet, with lifting device
 Inlet: male thread type G (BSPP) acc. to ISO 228/1
 Outlet: female thread type G (BSPP) acc. to ISO 228/1

Part No. 06310.X.0000

Available options - on request only:
 · Disc with soft sealing (NBR, CR, EPDM, FKM, FFKM, PCTFE, PTFE-FDA)



Applications:

Provided as safety device for protection against excessive pressure in pressure vessels.

Approved for gases, vapours and fluids.

Working temperatures: -10°C / +14°F (263K) up to +300°C / +572°F (573K)

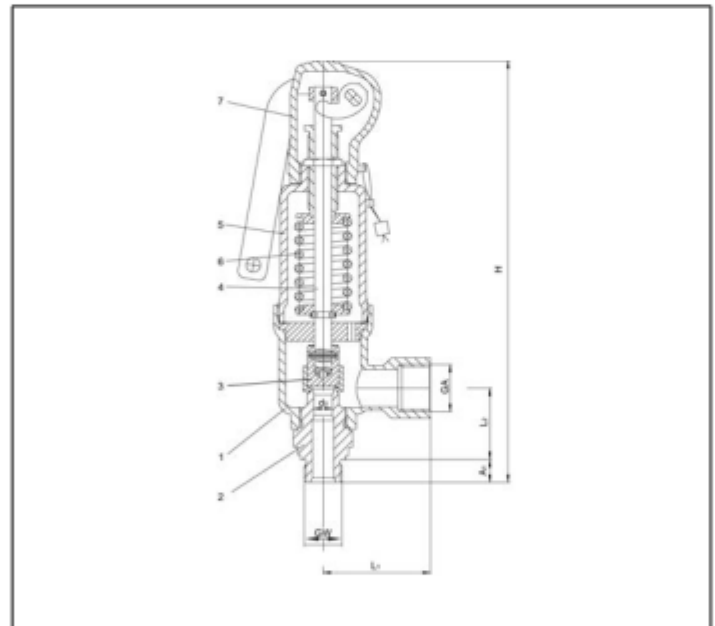
| Materials | DIN EN | ASME/ASTM |
|------------------|--------|-----------------------|
| 1 Inlet body | 0.7043 | A 536-87 Gr. 60-40-18 |
| 2 Inlet body | 1.4104 | A 276 Grade 430F |
| 3 Disc | 1.4122 | no reference |
| 4 Stem | 1.4021 | A 276 Grade 420 |
| 5 Bonnet | 0.7043 | A 536-87 Gr. 60-40-18 |
| 6 Spring | 1.4310 | A 313 Grade 301 |
| 7 Lifting device | 0.7040 | A 536-87 Gr. 60-40-18 |

Essential: Valves are delivered at a set pressure, therefore when ordering please confirm set pressure, medium and temperature.

Standard marking acc. to Pressure Equipment Directive 97/23/EC (PED).



Marking acc. to ASME Code Section VIII.



| Type 06310 | Technical data | | | |
|------------------------------------|----------------|---------|---------|---------|
| Nominal size | GW | 3/4 | 3/4 | 1 |
| Orifice | d ₀ | 9 | 13 | 17.5 |
| Dimension code | .X. | 0906 | 1306 | 1710 |
| Set pressure saturated steam | bar | 2.0-150 | 0.2-150 | 0.2-100 |
| Set pressure air and fluids | bar | 2.0-250 | 0.2-250 | 0.2-100 |
| Outlet | GA | 1 | 1 | 1-1/2 |
| Height | H | 280 | 280 | 281 |
| Length | L ₁ | 50 | 50 | 54 |
| Length | L ₂ | 75 | 75 | 75 |
| Length | A ₁ | 16 | 16 | 18 |
| Weight | ca. kg | 2.6 | 2.6 | 3.0 |
| Coeff. of discharge gases, vapours | α _w | 0.83 | 0.81 | 0.79 |
| Coeff. of discharge fluids | α _w | 0.61 | 0.53 | 0.52 |

Dimensions in mm.