

Pressure reducing Valves

Type 08023



Pressure Reducing Valves

Bronze body, with balanced seat,
disc with NBR seal, pressure gauge connection G1/4,
inlet pressure: up to max. 25.0 bar
outlet pressure: 0.6 up to 7.0 bar

Part No. 08023.X.0000

Union connections with male thread (G) acc. to ISO 228/1



Picture:
Accessory pressure gauge - not included with valve

Applications:

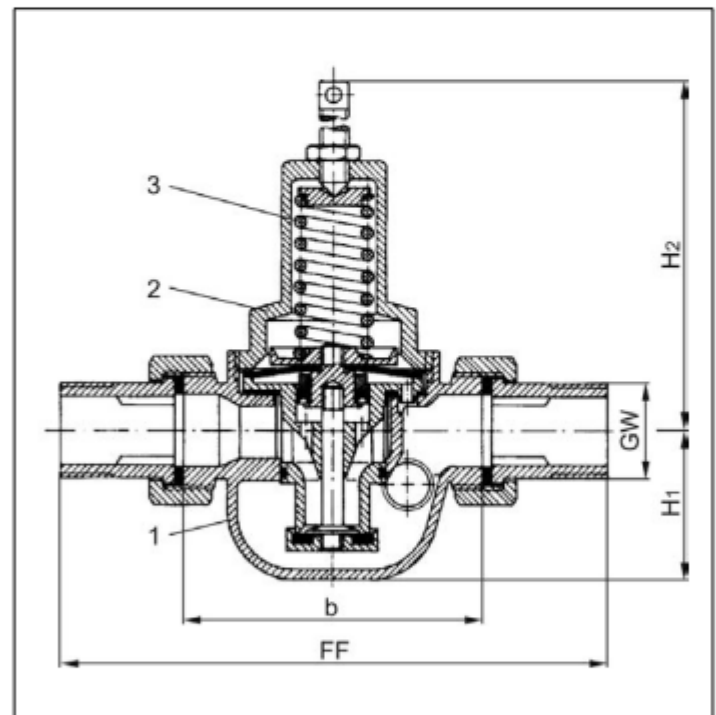
Suitable for water, non-viscous liquids, compressed air,
and similar non-inflammable, non-toxic gases.

Working temperature: -10°C / +14°F (263K) up to +90°C / +194°F (368K)

Materials	DIN EN	ASTM
1 Body	CC491K	B 62 UNS C83600
2 Bonnet	CC491K	B 62 UNS C83600
3 Spring	1.1200	A 227

Essential: When ordering or requesting an offer please indicate flow medium, working pressure and working temperature.

Standard marking acc. to Pressure Equipment Directive 97/23/EC (PED).



Type 08023	Technical data						
Nominal size	GW	1/2	3/4	1	1-1/4	1-1/2	2
Dimension code	.X.	0400	0600	1000	1200	1400	2000
Face-to-face dimension	FF	130	160	180	185	225	260
Body length	b	68	92	98	98	128	148
Height	H ₁	30	42	46	46	52	75
Height	H ₂	110	110	150	160	190	265
Weight	ca. kg	0.80	1.30	1.70	1.90	3.60	6.70

Dimensions in mm.