

Fire Safe Valves

Type 01653 - Actuated Trailervalue



Cryogenic-Globe Valves with Pneumatic Actuator, PN50
 "Fire safe" type test approval acc. to EN ISO 10497

air pressure for operation 6,0 bar g (maximum 10.0 bar g)

Stainless steel body and topwork,

Actuator - air opens, spring closes

"live loaded" gland packing

"cleaned and degreased for oxygen service" - the actuator is not cleaned and degreased for oxygen

maximum working pressure of the valve depending on nominal size

Part No. 01653.X.T0**

* Butt weld connection for stainless steel pipes acc. to ISO 1127 or ASTM A312

Part No. 01653.X.T0*4

Socket weld connection for stainless steel pipes acc. to ISO 1127 or ASTM A312

Available options - on request only:

· Welded stainless steel stubs acc. to ISO 1127 or ASTM A312 - length FF + 200mm

Applications:

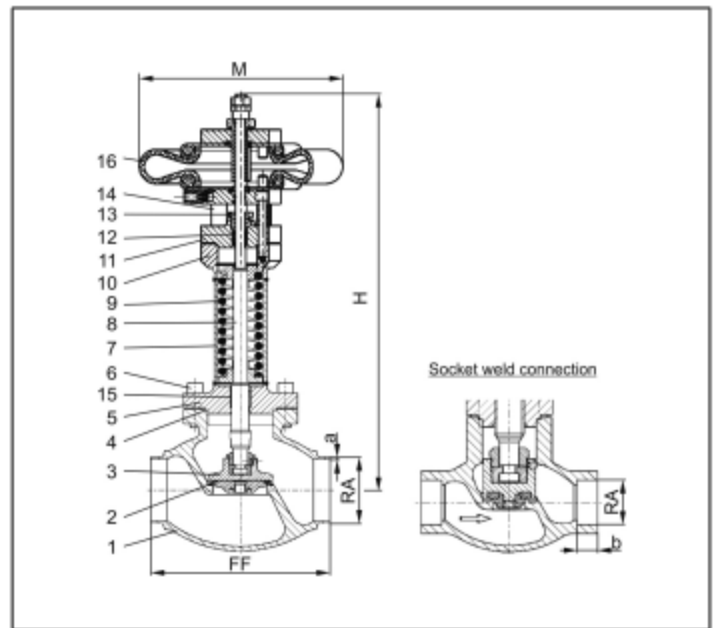
Approved for air gases, vapours and cryogenic liquefied gases incl. LNG.

Working temperature: -196°C / -321°F (77K) up to +120°C / +248°F (393K)



Materials	DIN EN	ASTM
1 Body	1.4308	A 351 CF8
2 Valve seal	PTFE / Carbon filled (25%)	
3 Disc	1.4301	A 276 Grade 304
4 Bonnet gasket	Graphite	
5 Headpiece	1.4301	A 276 Grade 304
6 Bolts	1.4301/A2	A 194 B8
7 Elongation tube	1.4306	A 213 TP 304L
8 Stem	1.4301	A 276 Grade 304
9 Spring	1.4571	A 313 Grade 316Ti
10 Flansch	1.4301	A 276 Grade 304
11 Headpiece	1.4301	A 276 Grade 304
12 Gland packing	Graphite / PTFE / MICA	
13 Gland nut	1.4571	A 313 Grade 316Ti
14 Pillars	1.4301	A 276 Grade 304
15 Bush	CW452K	B 159 UNS C51900
16 Actuator	Rubber	

Standard marking acc. to Pressure Equipment Directive 97/23/EC (PED).



Type 01653	Technical data							
Nominal size	DN	15	25	40	40	50	65	80
Dimension code	.X.	1521	2533	4042	4048	5060	657x	8088
Face-to-face dimension	FF	85	115	130	130	155	205	245
Height	H	395	444	400	400	440	470	500
Outside pipe-Ø ISO 1127	RA	21.3	33.7	42.4	48.3	60.3	76.1	88.9
Wall thickness pipe ISO 1127	a	2.0	2.0	2.0	2.0	2.0	2.6	3.2
Outside pipe-Ø ASTM A312	RA	21.34	33.40	42.16	48.26	60.33	73.03	88.90
Wall thickness pipe ASTM A312	a	dimensions acc. to S10 or S40						
Socket depth	b	10	13	13	13	16	16	16
Actuator-Ø	M	229	229	229	229	229	229	229
Weight	ca. kg	7.2	9.1	10.5	10.5	14.5	17.4	22.5
Kvs-Value	m ³ /h	4.3	11.5	22.6	22.6	37.1	71.1	104.0
Cv-Value	gal/min	5.0	13.4	23.9	26.3	43.2	82.7	120.9
Stroke	mm	10	9	11	11	15	23	23

Dimensions in mm.