

# Needle Valves

## Type 04010



### Needle Valves, PN40

Brass body and topwork  
with needle cone

### Part No. 04010.X.0000

Female thread connection (G) acc. to ISO 7-1 Rp



### Applications:

Suitable for non-toxic, non-inflammable fluids, gases and vapours.

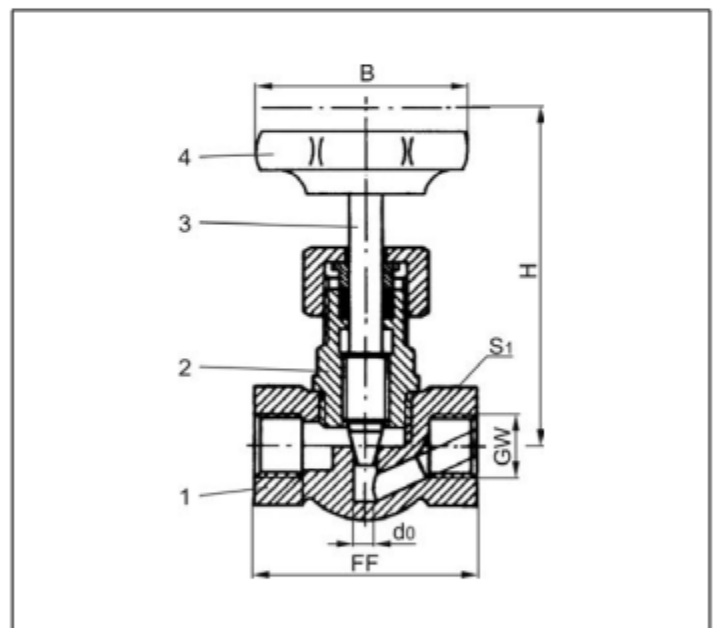
The laws, regulations and standards are to observe for the range of application.

Working temperatures: -10°C / +14°F (263K) up to +100°C / +212°F (373K)

Materials	DIN EN	ASTM
1 Body	CW614N	B 249 UNS C38500
2 Headpiece	CW612N	B 283 UNS C37700
3 Stem	CW612N	B 283 UNS C37700
4 Handwheel	Plastic	

**Essential:** When ordering or requesting an offer please indicate flow medium, working pressure and working temperature.

Standard marking acc. to Pressure Equipment Directive 97/23/EC (PED).



Type 04010	Technical data						
Nominal size	<b>GW</b>	1/4	3/8	1/2	3/4	1	1-1/4
Dimension code	.X.	0200	0300	0400	0600	1000	1200
Face-to-face dimension	FF	50	50	50	67	75	110
Height	H	80	80	80	90	95	105
Flow diameter	d <sub>0</sub>	5.0	6.0	6.5	9.0	11.0	13.0
Handwheel-Ø	B	50	50	65	65	65	90
Wrench size across flats	S <sub>1</sub>	22	22	25	32	40	54
Weight	ca. kg	0.30	0.30	0.35	0.55	0.75	1.80

Dimensions in mm.