

Globe Valves

Type 03341 - Globe Valve, ANSI Flanges



Cryogenic-Globe and Globe/Check Valves, class 300

Stainless steel body and topwork,
 "live loaded" gland packing
 "cleaned and degreased for oxygen service"

Part No. 03341.X.0013 (H = 270mm)
Part No. 03341.X.0023 (H = 370mm)
Part No. 03341.X.5013 (H = 270mm) **Globe/Check Valve**
Part No. 03341.X.5023 (H = 370mm) **Globe/Check Valve**
 Flanged connection acc. to ANSI B16.5 class 300

Available options - on request only:

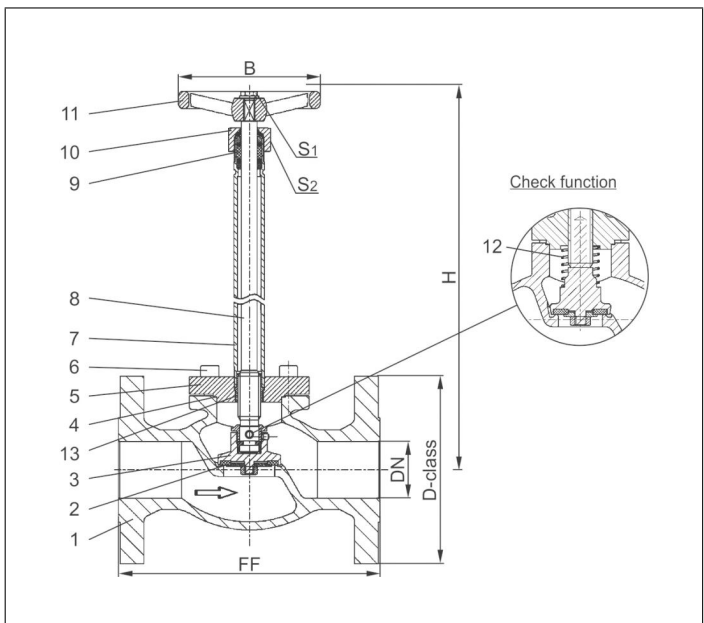
- Extension H up to 900mm
- Valve with control disc (tapered design)
- Nominal sizes DN15 and DN20 with welding-neck flange



Applications:

Approved for air gases, vapours and cryogenic liquefied gases incl. LNG.
 Working temperature: -196°C / -321°F (77K) up to +120°C / +248°F (393K)

Materials	DIN EN	ASTM
1 Body	1.4308	A 351 CF8
2 Valve seal up to DN50	PTFE / Carbon filled (25%)	
2a Valve seal from DN65	PTFE	
3 Disc	1.4301	A 276 Grade 304
4 Bonnet gasket	PTFE	
5 Headpiece	1.4301	A 276 Grade 304
6 Bolts	1.4301/A2	A 194 B8
7 Elongation tube	1.4541	A 213 TP 321
8 Stem	1.4301	A 276 Grade 304
9 Gland packing	Graphite / PTFE	
10 Gland nut	1.4305	A 276 Grade 303
11 Handwheel	Aluminium alloy	
12 Spring	1.4310	A 276 Grade 302
13 Bush	CW452K	B 103 Alloy A



Standard marking acc. to Pressure Equipment Directive 97/23/EC (PED).



Type 03341 - Standard design	Technical data						
Nominal size	DN	25	40	50	65	80	100
Dimension code - Flange ANSI B16.5 class 300	.X.	1000	1400	2000	2400	3000	4000
Flange-Ø	D-class	123.9	155.4	165	190.5	209.5	254
Face-to-face dimension	FF	160	200	230	290	310	350
Height	H	270 mm or 370 mm			400	400	400
Handwheel-Ø	B	100	125	125	200	250	315
Wrench size across flats	S ₁	10	13	13	13	13	13
Wrench size across flats	S ₂	30	36	36	36	36	41
Weight	ca. kg	4.9	9.7	13.3	21.1	28.0	43.2
Kvs-Value	m ³ /h	11.5	22.6	37.1	71.1	104.0	170.0
Cv-Value	gal/min	13.4	26.3	43.2	82.7	120.9	195.2

Dimensions in mm.