

Multiport™ Pressure Relief Valve Manifold Assemblies for Large Storage Containers A8560, A8570 and AA8570 Series

Application

Designed especially for use as a primary relief device on large stationary pressurized storage containers with flanged openings. These manifolds incorporate an additional relief valve, not included in the flow rating, allowing for servicing or replacement of any one of the relief valves without evacuating the container. The handwheel on the manifold selectively closes off the entrance port to the relief valve being removed while the remaining relief valves provide protection for the container and its contents. All manifold flow ratings are based on flow through the relief valves after one has been removed for service or replacement.

Features

- Allows for relief valve removal and replacement on a periodic basis without shutting down and evacuating the container.
- “Pop-action” design of relief valves insures maximum protection with only minimal product loss at moderately excessive pressures.
- A rubber plug with chain is provided to protect manifold outlet threads where the relief valve has been removed.
- May be mounted directly to a welding neck flange or manhole cover plate. Requires no inlet piping.
- Relief valves designed to automatically reseal firmly after discharge.
- Resilient relief valve seat disc provides “bubble-tight” seal.
- Relief valves are ASME rated for use with LP-Gas and anhydrous ammonia.



Materials

Body Ductile Iron
 Resilient Parts Teflon
 Clapper Disc Stainless Steel
 Bleeder Valve Stainless Steel

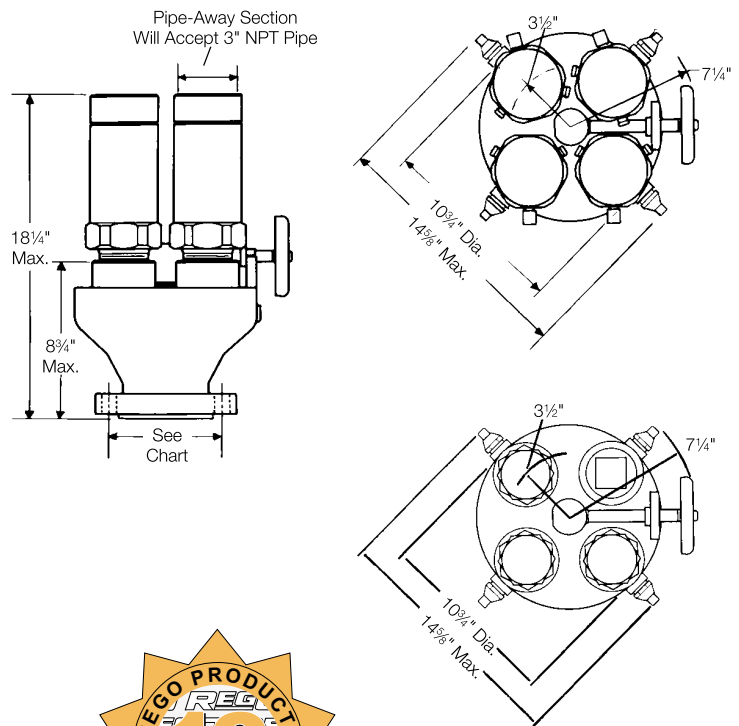
Bolt Stud and Nut Assemblies

Part Number	Consists of	For Use With:	For Connection To:	Number Required
7560-55	1-Bolt Stud and Nut	All RegO Multiports™	Modified 3" - 300# and 4"-ASA 300# Welding Neck Flange	8
7560-56			Manhole Cover Plate	

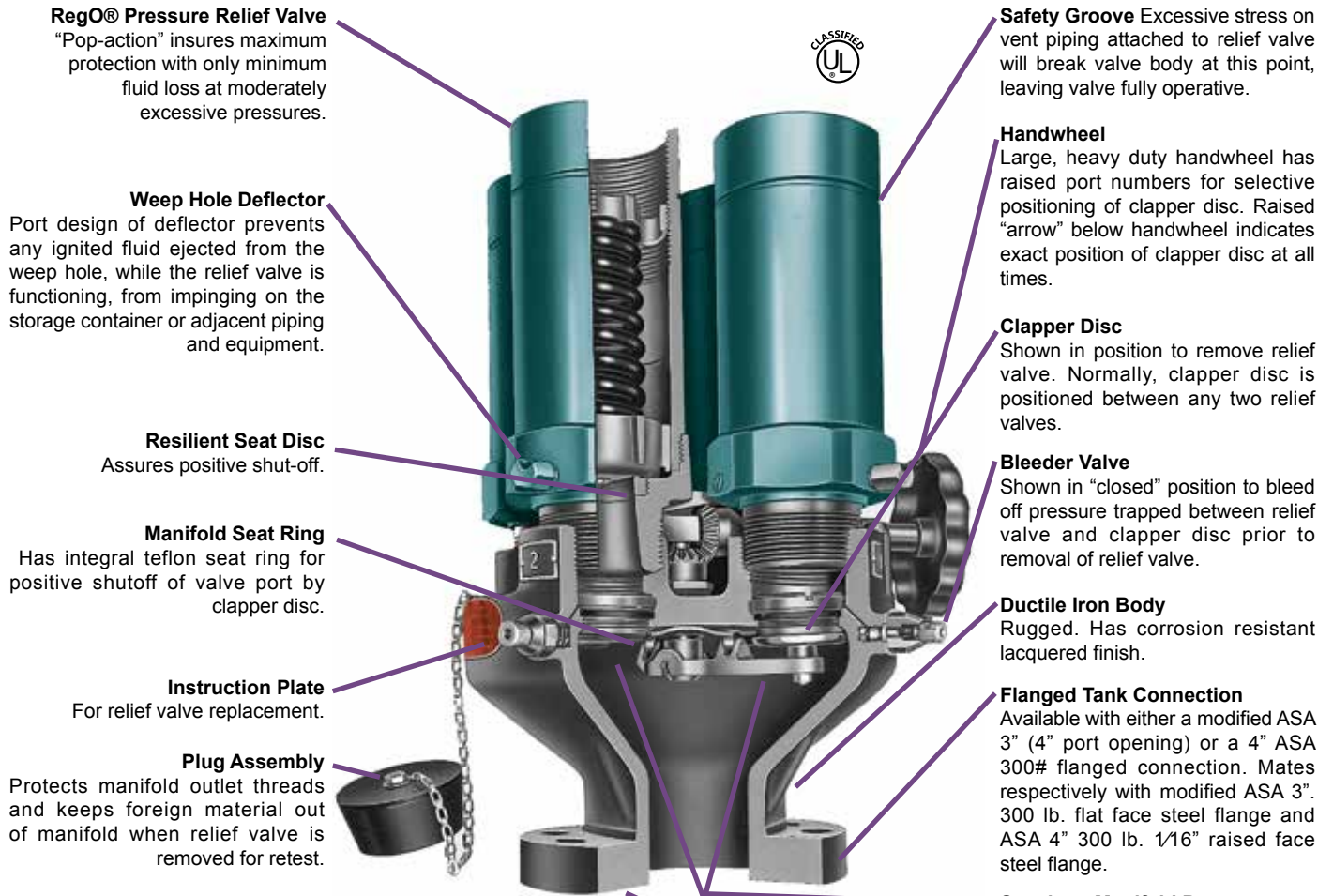
Relief Valve Materials

Description	A8563, A8564, A8573, A8574
Body	Upper Cold Rolled Steel Lower Ductile Iron
Liner	Stainless Steel
Spring Guide	Stainless Steel
Spring	Coated Steel
Seat Disc	Resilient Synthetic Rubber



*A special coating is applied to the inlet threads to minimize possibility of electrolytic action.



Typical RegO Multiport™ Pressure Relief Valve Manifold



Flange Dimensions

Manifold Series	Flange Size	Flange Drilling	Port Diameter	Flange Gasket
A8560	Modified 3" 300# (4" Port Dia)	 (8) 7/8" Bolt Holes on a 6 7/8" Bolt Circle Diameter Flat Faced.	4"	3" 7564-48
A8570 AA8570	4" ASA 300#	 (8) 7/8" Bolt Holes on a 7 7/8" Bolt Circle Diameter 1/16" Raised Faced.	4"	4" 7565-48



Ordering Information

Part Number	Start To Discharge Setting PSIG	Application		Container Flange Connection	Relief Valve				Flow Capacity SCFM/Air** At 120% of Set Pressure					
		LP-Gas	NH ₃		Quantity	Part Number	Inlet Connection M. NPT	Accessories	UL Rating	ASME Rating				
A8563G	250	Yes	Yes	3"-300#*	3	A3149MG	2 1/2"	****	18,500 (2)	Not Applicable				
A8564G					4				27,750 (3)					
A8573G				3	18,500 (2)									
A8574G				4	27,750 (3)									
A8563AG				Not Applicable	Not Applicable	Not Applicable			3"-300#*	3	A3149G	2 1/2"	****	18,300 (2)
A8564AG										4				27,400 (3)
A8573AG									3	18,300 (2)				
A8574AG									4	27,400 (3)				

* For use with modified 300# ANSI flange with 4" port.

*** 2" F. NPT outlet connection.

** Flow rating based on number of relief valves indicated in parenthesis (). Flow rates shown are for bare relief valves. Adapters and pipeways will reduce flow rates as discussed in forewording information.

**** Outlet 3/2-8N (F) thread, will accept 3" M. NPT pipe thread.