

Ball Valves

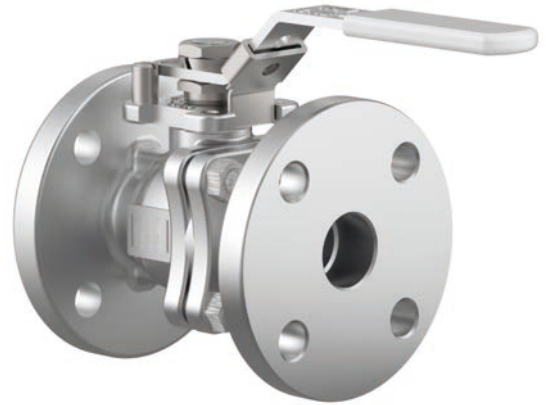
Type 15235



Flanged Ball Valves, stainless steel, PN16, DIN EN

full bore, seat rings PTFE, gland packing with PTFE-rings, with lever and locking device without lock, with ISO 5211 mounting pad, face-to-face dimension acc. to DIN EN 558-1 row 27 (F4) - short pattern, flanged connection acc. to DIN EN 1092-1 PN16

Part No. 15235.X.11E000



Applications:

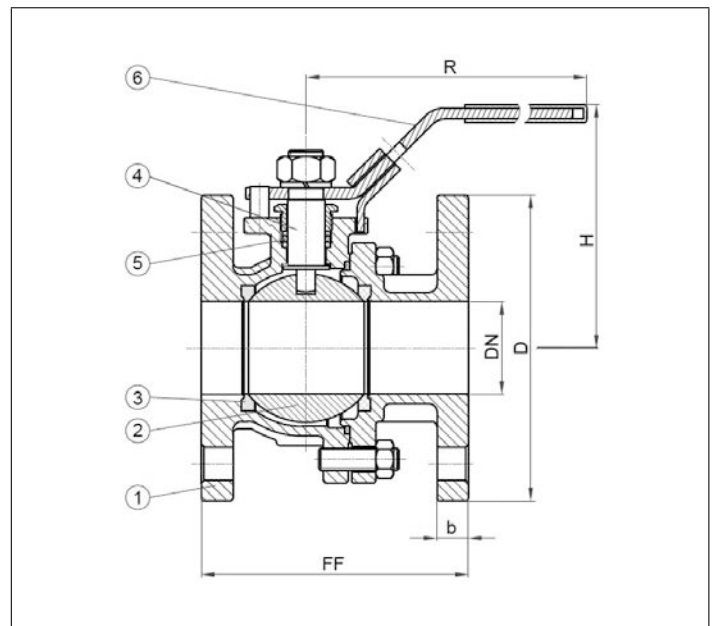
Suitable for transformer oil.

Working temperatures: -40°C / -40°F (233K) up to +220°C / +428°F (493K).

Materials	DIN EN	ASTM
1 Body	1.4408	A 351-CF8M
2 Ball	1.4408	A 351-CF8M
3 Seat rings	PTFE	
4 Stem	1.4401	A 182-F316
5 Packing	PTFE	
6 Lever	1.4308	A 351-CF8

Essential: When ordering or requesting an offer please indicate flow medium, working pressure and working temperature.

Standard marking acc. to Pressure Equipment Directive 97/23/EC (PED).



Type 15235	Technical data								
Nominal size	DN	15	25	32	40	50	65	80	100
Dimension code	X	0150	0250	0320	0400	0500	0650	0800	1000
Max. working pressure	PN	16	16	16	16	16	16	16	16
Face-to-face dimension	FF	115	125	130	140	150	170	180	190
Height	H	76	92	95	126	132	166	176	190
Flange diameter	D	95	115	140	150	165	185	200	220
Width of flange	b	12	13.5	14	14	18	18	20	20
Length of lever	R	153	160	160	185	185	230	230	330
Weight	ca. kg	3.2	3.9	5.5	7.3	10.4	16.3	21.4	25.9

Dimensions in mm. Further nominal sizes on request.