

Check Valves

Type 05082



Check Valves, PN16

Bronze body and cap
metal to metal seated

Part No. 05082.X.0160

Flanged connection acc. to DIN EN 1092-1 PN16



Applications:

Suitable for non-toxic, non-inflammable fluids, gases and vapours.

The laws, regulations and standards are to observe for the range of application.

Working temperatures and pressures:

up to max. 16.0 bar: -10°C / +14°F (263K) up to +80°C / +176°F (353K)

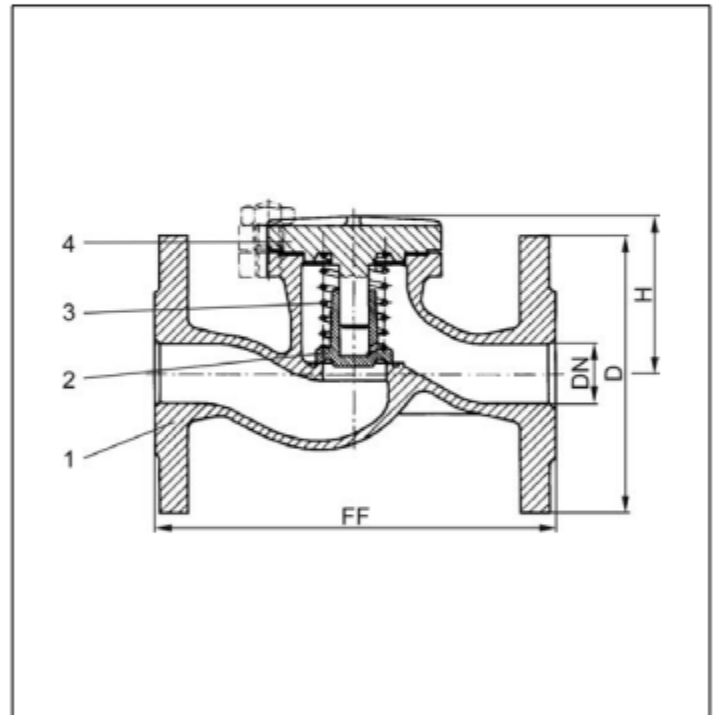
up to max. 10.0 bar: -10°C / +14°F (263K) up to +120°C / +248°F (393K)

up to max. 6.0 bar: -10°C / +14°F (263K) up to +160°C / +320°F (433K)

Materials	DIN EN	ASTM
1 Body	CC491K	B 62 UNS C83600
2 Disc	CC491K	B 62 UNS C83600
3 Spring	1.4310	A 313 Grade 301
4 Cap	CC491K	B 62 UNS C83600

Essential: When ordering or requesting an offer please indicate flow medium, working pressure and working temperature.

Standard marking acc. to Pressure Equipment Directive 97/23/EC (PED).



Type 05082	Technical data										
Nominal size	DN	20	25	32	40	50	65	80	100	125	150
Dimension code	.X.	0200	0250	0320	0400	0500	0650	0800	1000	1250	1500
Face-to-face dimension	FF	150	160	180	200	230	290	310	350	400	480
Height	H	70	75	80	90	100	110	130	150	170	190
Flange diameter	D	105	115	140	150	165	185	200	220	250	285
Weight	ca. kg	4.0	5.0	6.0	8.5	11.0	15.0	20.0	25.0	40.0	55.0

Dimensions in mm.