

# Check Valves

## Type 05083



### Check Valves, PN16

Bronze body, screwed cap in brass

#### Part No. 05083.X.0160

Flanged connection acc. to DIN EN 1092-1 PN16

Disc with FPM seal

Available options - on request only:

- Disc with PTFE seal



#### Applications:

Suitable for non-toxic, non-inflammable fluids, gases and vapours.

The laws, regulations and standards are to observe for the range of application.

Working temperatures and pressures:

up to max. 16.0 bar: -10°C / +14°F (263K) up to +80°C / +176°F (353K)

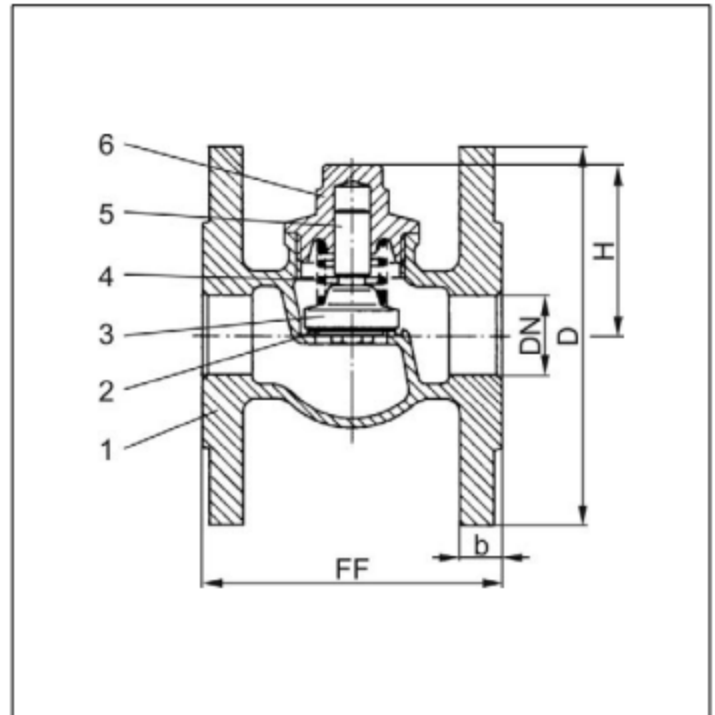
up to max. 10.0 bar: -10°C / +14°F (263K) up to +120°C / +248°F (393K)

up to max. 6.0 bar: -10°C / +14°F (263K) up to +160°C / +320°F (433K)

Materials	DIN EN	ASTM
1 Body	CC491K	B 62 UNS C83600
2 Valve seal	FPM	
3 Disc	CW614N	B 283 UNS C38500
4 Spring	1.4310	A 313 Grade 301
5 Guide piece	CW614N	B 283 UNS C38500
6 Cap	CW614N	B 283 UNS C38500

**Essential:** When ordering or requesting an offer please indicate flow medium, working pressure and working temperature.

Standard marking acc. to Pressure Equipment Directive 97/23/EC (PED).



Type 05083	Technical data					
Nominal size	DN	20	25	32	40	50
Dimension code	.X.	0200	0250	0320	0400	0500
Face-to-face dimension	FF	80	90	95	110	125
Height	H	50	55	55	65	75
Flange diameter	D	105	115	140	150	165
Width of flange	b	12	12	14	14	16
Weight	ca. kg	1.9	2.6	3.7	4.3	6.4

Dimensions in mm.