

# Safety Valves

## Type 06380



### Safety Valves, angle type, bronze, type tested TÜV-SV.749. S/G

Standard safety valve  
with soft valve seal, open bonnet, with lifting device  
In- and outlet: female thread type G (BSPP) acc. to ISO 228/1

#### Part No. 06380.X.0000

with FPM valve seal for air and similar gases  
Working temperature: -10°C / +14°F (263K) up to +185°C / +365°F (458K)

#### Part No. 06380.X.0300

with PTFE valve seal for air and similar gases  
and saturated steam from 2.0 up to 10.0 bar.  
Working temperature: -10°C / +14°F (263K) up to +185°C / +365°F (458K)

#### Part No. 06380.X.0600

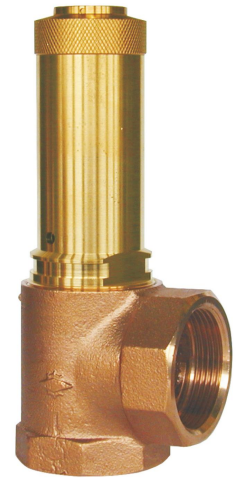
with EPDM valve seal for air and similar gases  
and steam from 0.2 up to 8 bar. (saturated steam only to 3 bar)  
Working temperature: -10°C / +14°F (263K) up to +135°C / +275°F (408K)

Available options - on request only:

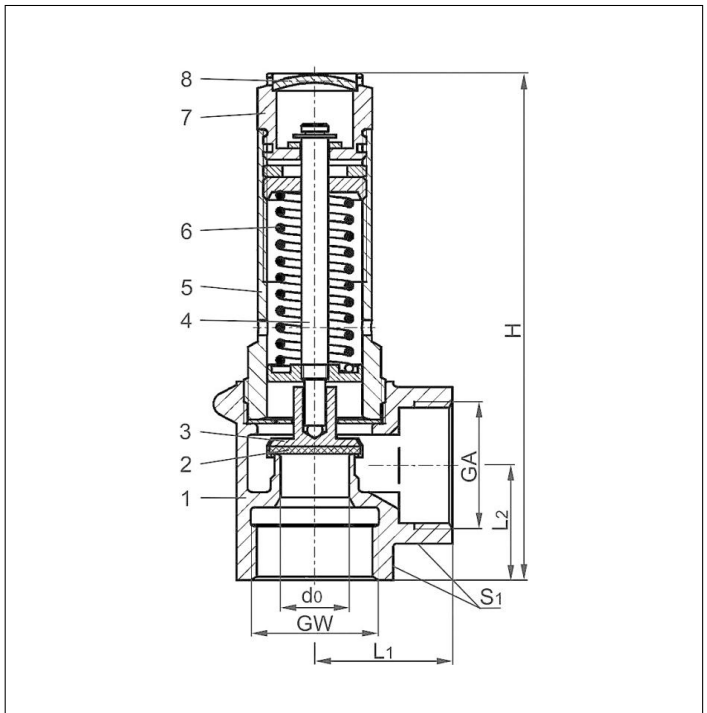
- stainless steel spring - material 1.4571, external parts nickel plated

#### Applications:

Provided as safety device for protection against excessive pressure in gas cylinders and pressure vessels.



Materials	DIN EN	ASME/ASTM
1 Body	CC491K	B 62 UNS C83600
2 Valve seal	FPM, PTFE or EPDM	
3 Disc	CW614N	B 249 UNS C38500
4 Stem	CW614N	B 249 UNS C38500
5 Bonnet	CW614N	B 249 UNS C38500
6 Spring	1.1200	A 227
7 Lifting device	CW614N	B 249 UNS C38500
8 Closing cap	CW507L	B 36 UNS C26800



**Essential:** Valves are delivered at a set pressure, therefore when ordering please confirm set pressure, medium and temperature.

Standard marking acc. to Pressure Equipment Directive 97/23/EC (PED).



Type 06380	Technical data						
Nominal size	GW	1/2	3/4	1	1-1/4	1-1/2	2
Orifice	d <sub>0</sub>	12	15	18	20	24	28
Dimension code	.X.	0400	0600	1000	1200	1400	2000
Set pressure range FPM seal	bar	0.2-20	0.2-20	0.2-20	0.2-20	0.2-16	0.2-16
Set pressure range PTFE seal	bar	0.2-20	0.5-20	0.2-20	0.4-20	0.2-16	1.0-16
Set pressure range EPDM seal	bar	0.2-8	0.2-8	0.2-9	0.2-9	0.2-8	0.2-8
Outlet	GA	1/2	3/4	1	1-1/4	1-1/2	2
Height	H	99	111	132	152	175	200
Length	L <sub>1</sub>	25	30	36	40	48	56
Length	L <sub>2</sub>	22	25	30	35	40	48
Wrench size across flats	S <sub>1</sub>	27	32	41	50	58	70
Weight	ca. kg	0.24	0.40	0.70	1.07	1.65	2.65
Coeff. of discharge from 3.0 bar	α <sub>w</sub>	0.47	0.37	0.52	0.57	0.52	0.50

Dimensions in mm.

# Safety Valves

## Type 06380



### Discharge capacities

Calculation of mass flow acc. to AD2000-Merkblatt A2

Medium:

**Air** in m<sup>3</sup>/h at 0°C and 1013.25 mbar

**Saturated steam** in kg/h

**The capacity indicated below is for a fully opened valve.**

d<sub>0</sub> - orifice

A<sub>0</sub> - flow area

Set pressure in bar (g)	GW	1/2	3/4	1	1-1/4	1-1/2	2	1/2	3/4	1	1-1/4	1-1/2	2
	d <sub>0</sub> (mm)	12.0	15.0	18.0	20.0	24.0	28.0	12.0	15.0	18.0	20.0	24.0	28.0
	A <sub>0</sub> (mm <sup>2</sup> )	113.1	176.7	254.5	314.2	452.4	615.8	113.1	176.7	254.5	314.2	452.2	615.8
	Medium	Air						Saturated steam					
<b>0.2</b>		28	38	69	96	123	159	24	33	59	82	105	136
<b>0.4</b>		40	54	101	137	179	236	34	45	84	115	150	198
<b>0.5</b>		46	61	114	154	204	271	38	50	94	128	168	224
<b>1.0</b>		68	89	172	230	306	407	54	71	137	184	244	326
<b>2.0</b>		113	140	284	391	505	660	89	110	224	309	398	521
<b>3.0</b>		156	192	389	527	692	906	122	150	304	411	541	708
<b>4.0</b>		196	241	488	661	869	1137	152	187	379	513	674	883
<b>5.0</b>		236	291	589	797	1048	1371	182	224	454	615	808	1057
<b>6.0</b>		276	340	689	932	1225	1603	212	261	528	715	940	1230
<b>7.0</b>		316	389	788	1067	1402	1835	242	297	603	816	1072	1403
<b>8.0</b>		357	440	891	1205	1584	2073	271	334	677	916	1203	1575
<b>9.0</b>		398	489	990	1340	1761	2305	301	371	750	1016	1334	1747
<b>10.0</b>		439	540	1093	1479	1943	2543	331	407	824	1115	1465	1918
<b>12.0</b>		519	638	1293	1750	2298	3008	-	-	-	-	-	-
<b>14.0</b>		599	737	1493	2020	2654	3474	-	-	-	-	-	-
<b>16.0</b>		680	836	1693	2291	3010	3940	-	-	-	-	-	-
<b>18.0</b>		760	935	1893	2562	-	-	-	-	-	-	-	-
<b>20.0</b>		849	1044	2113	2860	-	-	-	-	-	-	-	-