

Safety Valves

Type 06311



Safety Valves, angle type, stainless steel,
type tested, TÜV-SV.909. D/G/F

Full lift safety valve
Standard safety valve for fluids
metal to metal seated,
closed bonnet, with lifting device
Inlet: male thread type G (BSPP) acc. to ISO 228/1
Outlet: female thread type G (BSPP) acc. to ISO 228/1

Part No. 06311.X.0000

Available options - on request only:

· Disc with soft sealing (NBR, CR, EPDM, FKM, FFKM, PCTFE, PTFE-FDA)



Applications:

Provided as safety device for protection against excessive pressure
in pressure vessels.

Approved for gases, vapours and fluids.

Working temperatures: -196°C / -321°F (77K) up to +300°C / +572°F (573K)

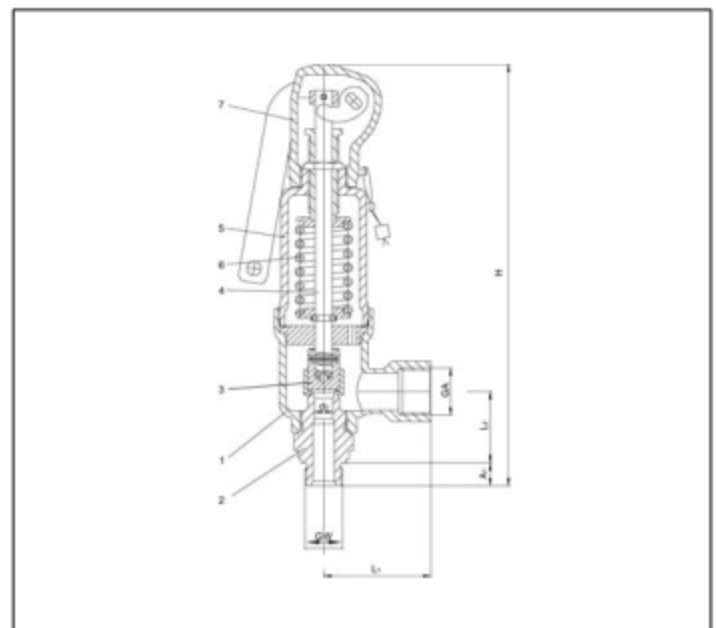
Materials	DIN EN	ASME/ASTM
1 Outlet body	1.4404	A 276 Grade 316L
2 Inlet body	1.4404	A 276 Grade 316L
3 Disc	1.4404	A 276 Grade 316L
4 Stem	1.4404	A 276 Grade 316L
5 Bonnet	1.4404	A 276 Grade 316L
6 Spring	1.4310	A 313 Grade 301
7 Lifting device	1.4408	A 351 CF 8M

Essential: Valves are delivered at a set pressure,
therefore when ordering please confirm set
pressure, medium and temperature.

Standard marking acc. to Pressure Equipment
Directive 97/23/EC (PED).



Marking acc. to ASME Code Section VIII.



Type 06311	Technical data				
	Nominal size	GW	3/4	3/4	1
Orifice	d ₀	9	13	17.5	
Dimension code	.X.	0906	1306	1710	
Set pressure saturated steam	bar	1.5-200	0.2-200	0.2-100	
Set pressure air and fluids	bar	1.5-250	0.2-200	0.2-100	
Outlet	GA	1	1	1-1/2	
Height	H	280	280	281	
Length	L ₁	50	50	54	
Length	L ₂	75	75	75	
Length	A ₁	16	16	18	
Weight	ca. kg	2.6	2.6	3.0	
Coeff. of discharge gases, vapours	α _w	0.83	0.81	0.79	
Coeff. of discharge fluids	α _w	0.61	0.53	0.52	

Dimensions in mm.