

Safety Valves

Type 06315



Safety Valves, angle type, chromium steel, type tested, TÜV-SV.980. D/G/F

Standard safety valve

metal to metal seated, closed bonnet

Inlet: male thread type G (BSPP) acc. to ISO 228/1

Outlet: female thread type G (BSPP) acc. to ISO 228/1

Part No. 06315.X.N000 (0.1 - 93.0 bar)

Part No. 06315.X.L000 (93.0 - 180.0 bar)

with lifting device - head A

Part No. 06315.X.N020 (0.1 - 93.0 bar)

Part No. 06315.X.L020 (93.0 - 180.0 bar)

with gastight cap - head C

Available options - on request only:

· Threads NPT acc. to ANSI B 1.20.1

· Disc with soft sealing (NBR, CR, EPDM, FKM, FFKM, PCTFE, PTFE-FDA)



Applications:

Provided as safety device for protection against excessive pressure in pressure vessels. Approved for gases, vapours and fluids.

Working temperature: -10°C / +14°F (263K) up to +220°C / +428°F (493K)

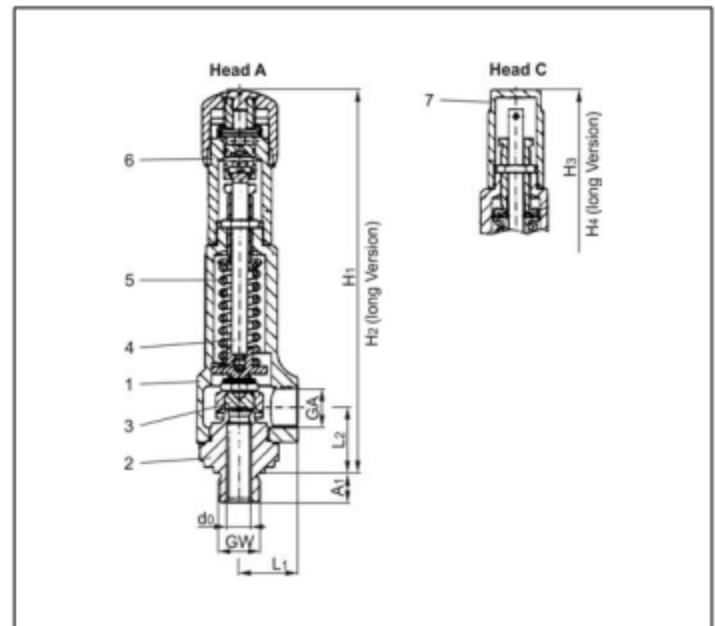
Materials	DIN EN	ASME/ASTM
1 Outlet body	1.4104	A 276 Grade 430F
2 Inlet body	1.4104	A 276 Grade 430F
3 Disc	1.4122	no reference
4 Stem	1.4021	A 276 Grade 420
5 Spring	1.4310	A 313 Grade 301
6 Lifting device	1.4104	A 276 Grade 430F
7 Cap	1.0718	A 108

Essential: Valves are delivered at a set pressure, therefore when ordering please confirm set pressure, medium and temperature.

Standard marking acc. to Pressure Equipment Directive 97/23/EC (PED).



Marking acc. to ASME Code Section VIII.



Technical data	Type 06315.X.N000/N020		Type 06315.X.L000/L020		
	GW	1/2	3/4	1/2	3/4
Nominal size	GW	1/2	3/4	1/2	3/4
Orifice	d ₀	10	10	10	10
Dimension code	.X.	1004	1006	1004	1006
Set pressure range	bar	0.1-93	0.1-93	93-180	93-180
Outlet	GA	1/2	1/2	1/2	1/2
Height	H ₁	195	195	-	-
Height	H ₂	-	-	216	216
Height	H ₃	180	180	-	-
Height	H ₄	-	-	191	191
Length	L ₁	30	30	30	30
Length	L ₂	33	33	33	33
Length	A ₁	15	16	15	16
Weight	ca. kg	1.2	1.2	1.4	1.4
Coeff. of discharge gases, vapours	α _w	0.50	0.50	0.50	0.50
Coeff. of discharge fluids	α _w	0.35	0.35	0.35	0.35

Dimensions in mm.