

# Safety Valves

## Type 06506



Safety Valves, stainless steel,  
type tested TÜV-SV.948. Liquid/ Granular/ Powder

Standard safety valve  
with FPM valve seal, closed bonnet,  
with diaphragm for protection of the spring, with lifting device,  
discharge holes with protection cap  
Inlet: male thread type G (BSPP) acc. to ISO 228/1

Part No. 06506.X.1000

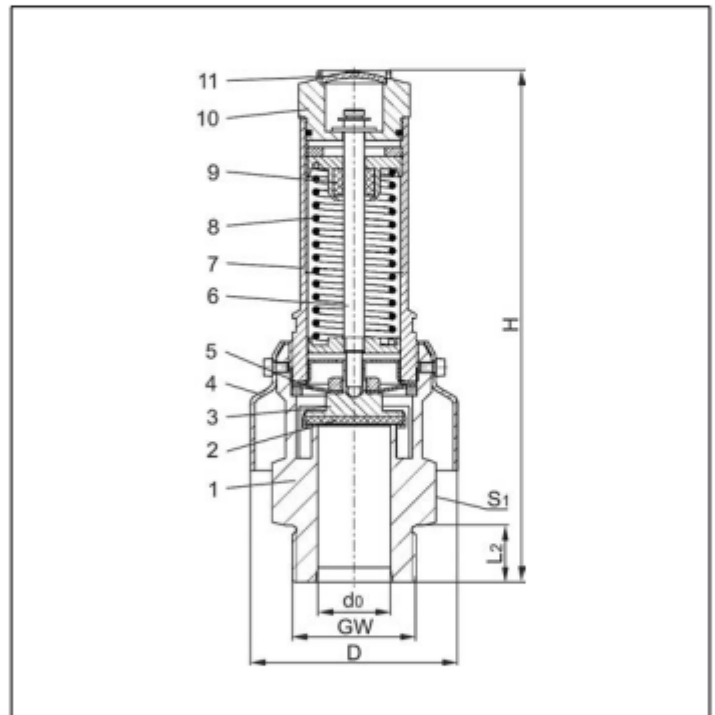


### Applications:

Provided as safety device for protection against excessive pressure in vehicle containers and pressure vessels. Approved for liquid, granular and powdery goods.

Working temperature: -40°C / -40°F (233K) up to +200°C / +392°F (473K)

Materials	DIN EN	ASME/ASTM
1 Body	1.4408	A 351 CF8M
2 Valve seal	FPM (Viton-GLT)	
3 Disc	1.4401	A 479 Grade 316
4 Protection cap	1.4301	A 479 Grade 304
5 Diaphragm	Silicon	
6 Stem	1.4401	A 479 Grade 316
7 Bonnet	1.4401	A 479 Grade 316
8 Spring	1.4571	A 313 Grade 316Ti
9 Stem guide	PTFE	
10 Lifting device	1.4401	A 479 Grade 316
11 Closing cap	1.4401	A 479 Grade 316



**Essential:** Valves are delivered at a set pressure, therefore when ordering please confirm set pressure, medium and temperature.

Standard marking acc. to Pressure Equipment Directive 97/23/EC (PED).



Type 06506	Technical data (GW 2 in preparation)				
	Nominal size	GW	1	1-1/4	1-1/2
Orifice	$d_0$	24	31	31	-
Dimension code	.X.	1000	3112	3114	-
Set pressure range	bar	0.5-6.0	0.5-6.0	0.5-6.0	-
Height	H	194	191	191	-
Length	$L_2$	18	22	22	-
Protection cap diameter	D	80	80	80	-
Wrench size across flats	$S_1$	55	55	55	-
Weight	ca. kg	1.75	2.00	2.30	-
Coeff. of discharge from 3.0 bar	$\alpha_w$	0.62	0.68	0.68	-
Coeff. of discharge from 3.5 bar	$\alpha_w$	-	0.65	0.65	-
Coeff. of discharge from 4.5 bar	$\alpha_w$	0.57	-	-	-

Dimensions in mm.