

Safety Valves

Type 06601



Safety Valves, angle type, bronze, type tested TÜV-SV.1080. D/G

Standard safety valve
with O-ring valve seal,
closed bonnet, with lifting device
with enlarged outlet
In- and outlet: female thread type G (BSPP) acc. to ISO 228/1

Part No. 06601.1204.0000

Available options - on request only:
· external parts nickel plated



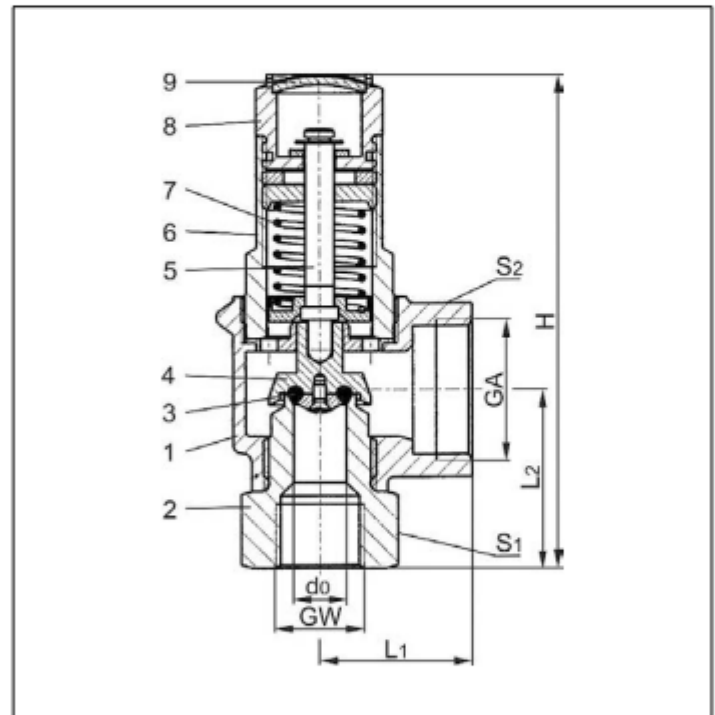
Applications:

Provided as safety device for protection against excessive pressure in gas cylinders and pressure vessels.
Approved for non-toxic gases and vapours.
Working temperature: -10°C / +14°F (263K) up to +185°C / +365°F (458K)

Materials	DIN EN	ASME/ASTM
1 Body	CC491K	B 62 UNS C83600
2 Inlet body	CW614N	B 111 UNS C28000
3 O-ring	PTFE	
4 Disc	CW614N	B 249 UNS C38500
5 Stem	CW614N	B 249 UNS C38500
6 Bonnet	CW614N	B 249 UNS C38500
7 Spring	1.4571	A 313 Grade 316Ti
8 Lifting device	CW614N	B 249 UNS C38500
9 Closing cap	CW507L	B 36 UNS C26800

Essential: Valves are delivered at a set pressure, therefore when ordering please confirm set pressure, medium and temperature.

Standard marking acc. to Pressure Equipment Directive 97/23/EC (PED).



Type 06601	Technical data	
Nominal size	GW	1/2
Orifice	d_0	12.5
Set pressure range	bar	5.0-10
Outlet	GA	1
Height	H	117
Length	L_1	36
Length	L_2	42
Wrench size across flats	S_1	32
Wrench size across flats	S_2	41
Weight	ca. kg	0.65
Coefficient of discharge	α_w	0.42

Dimensions in mm.