

Safety Valves

Type 06604



Safety Valves, angle type, bronze, type tested TÜV-SV.1080. D/G

Standard safety valve
with O-ring valve seal,
closed bonnet, with lifting device,
with enlarged outlet
In- and outlet: female thread type G (BSPP) acc. to ISO 228/1

Part No. 06604.1204.0000

Available options - on request only:
· external parts nickel plated



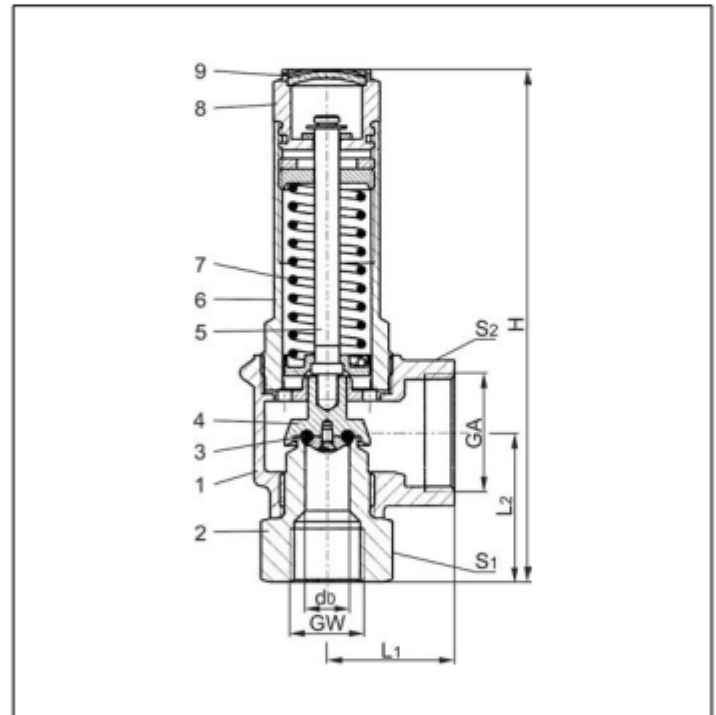
Applications:

Provided as safety device for protection against excessive pressure in gas cylinders and pressure vessels.
Approved for gases and vapours, preferably for non-inflammable refrigerants acc. to EN 378-1.
Working temperature: -50°C / -58°F (223K) up to +150°C / +316°F (423K)

Materials	DIN EN	ASME/ASTM
1 Body	CC491K	B 62 UNS C83600
2 Inlet body	CW614N	B 111 UNS C28000
3 O-ring	PTFE	
4 Disc	CW614N	B 249 UNS C38500
5 Stem	CW614N	B 249 UNS C38500
6 Bonnet	CW614N	B 249 UNS C38500
7 Spring	1.4571	A 313 Grade 316Ti
8 Lifting device	CW614N	B 249 UNS C38500
9 Closing cap	CW507L	B 36 UNS C26800

Essential: Valves are delivered at a set pressure, therefore when ordering please confirm set pressure, medium and temperature.

Standard marking acc. to Pressure Equipment Directive 97/23/EC (PED).



Type 06604	Technical data	
Nominal size	GW	1/2
Orifice	d ₀	12.5
Set pressure range	bar	14.0-30
Outlet	GA	1
Height	H	145
Length	L ₁	36
Length	L ₂	42
Wrench size across flats	S ₁	32
Wrench size across flats	S ₂	41
Weight	ca. kg	0.7
Coefficient of discharge	α _w	0.7

Dimensions in mm.