

# Actuated Valves

## Type 01343 - Actuated Control Valve



### Cryogenic-Control Valves with Pneumatic Actuator, PN50

Control characteristic: linear or equal percentage

Stainless steel body and topwork

Actuator - air opens, spring closes or contrary

"live loaded" gland packing

"cleaned and degreased for oxygen service" - the actuator is not cleaned and degreased for oxygen

#### Part No. 01343.X.161\*

\* Butt weld connection for stainless steel pipes acc. to ISO 1127 or ASTM A312

#### Part No. 01343.X.1614

Socket weld connection for stainless steel pipes acc. to ISO 1127 or ASTM A312

Available accessories:

- Solenoid valve · Limit switch
- Electropneumatic positioner etc.

Available options - on request only:

- Welded stainless steel stubs acc. to ISO 1127 or ASTM A312 - length FF + 150mm
- Electric actuator · Bellow sealed option

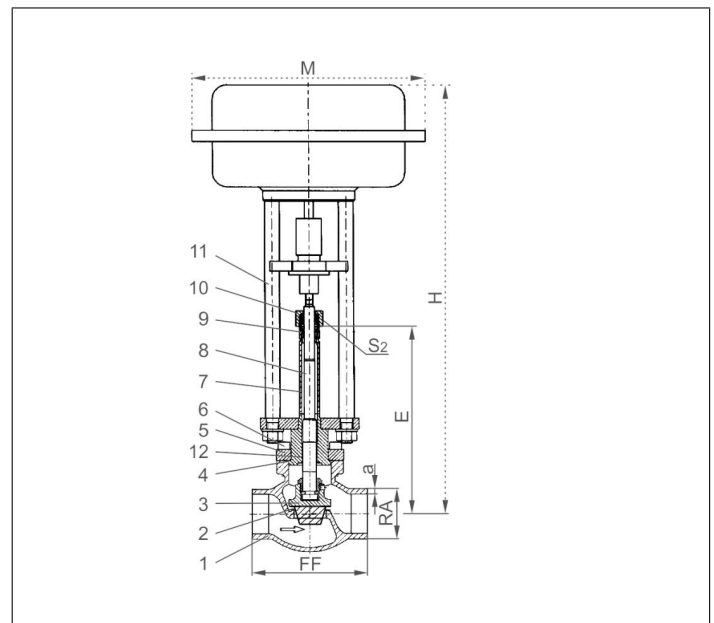
#### Applications:

Approved for air gases, vapours and cryogenic liquefied gases incl. LNG.

Working temperature: -196°C / -321°F (77K) up to +120°C / +248°F (393K)



Materials	DIN EN	ASTM
1 Body	1.4308	A 351 CF8
2 Valve seal up to DN50	PTFE / Carbon filled (25%)	
2a Valve seal from DN65	PTFE	
3 Disc	1.4301	A 276 Grade 304
4 Bonnet gasket	PTFE	
5 Headpiece	1.4301	A 276 Grade 304
6 Bolts	1.4301/A2	A 194 B8
7 Elongation tube	1.4541	A 213 TP 321
8 Stem	1.4301	A 276 Grade 304
9 Gland packing	Graphite / PTFE	
10 Gland nut	1.4305	A 276 Grade 303
11 Pillars	1.4404	A 276 Grade 316L
12 Bush	CW452K	B 103 UNS C51900



Standard marking acc. to Pressure Equipment Directive 97/23/EC (PED).



Type 01343 - Standard design	Technical data									
Nominal size	DN	15	20	25	32	40	50	65	80	100
Dimension code	.X.	1521	2026	2533	3238	4048	5060	657x	8088	0114
Face-to-face dimension	FF	85	100	115	115	130	155	205	245	280
Height	H									
Length	E	195	200	200	230	230	235	300	300	300
Outside pipe-Ø ISO 1127	RA	21.3	26.9	33.7	38.0	48.3	60.3	76.1	88.9	114.3
Wall thickness pipe ISO 1127	a	2.0	2.0	2.0	2.0	2.0	2.0	2.6	3.2	6.0
Outside pipe-Ø ASTM A312	RA	21.34	26.67	33.4	-	48.26	60.33	73.03	88.90	114.3
Wall thickness pipe ASTM A312	a	dimensions acc. to S10 or S40								
Socket depth	b	10	13	13	-	13	16	16	16	20
Actuator-Ø	M									
Wrench size across flats	S <sub>2</sub>	30	30	30	36	36	36	36	36	41
Weight w/o actuator	ca. kg	2.2	2.4	3.1	3.8	6.5	9.0	15.2	20.0	28.0
Stroke	mm	20	20	20	30	40	30	40	40	40

Dimensions in mm.

# Actuated Valves

## Type 01343 - Actuated Control Valve

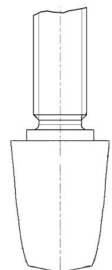
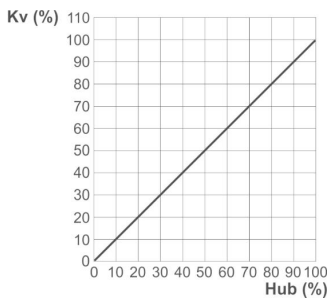
# HEROSE



Flow coefficient for Control Valves - Control characteristic linear Kvs-Value in m<sup>3</sup>/h, Cv-Value in gal/min

Type 01343 Control valve																		
Lift in mm	20	20	20	20	20	20	30	30	30	30	30	30	40	40	40	40	40	40
Seat-Ø in mm	15	15	20	20	25	25	32	32	36	36	45	45	62	62	76	76	94	94
Nominal size	Kvs	Cv	Kvs	Cv	Kvs	Cv	Kvs	Cv	Kvs	Cv	Kvs	Cv	Kvs	Cv	Kvs	Cv	Kvs	Cv
DN 15	3.5	4.0																
DN 20			6.3	7.3														
DN 25					10.0	11.6												
DN 32							16.0	18.5										
DN 40									19.0	22.0								
DN 50											30.0	34.7						
DN 65													60.0	69.3				
DN 80															86.0	99.4		
DN 100																	140.0	161.8

Ideal inherent linear characteristic line acc. to DIN IEC 60534 Part 2-4

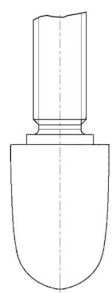
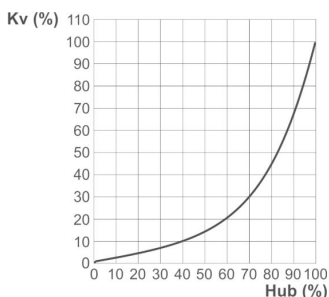


Sample drawing cone, control characteristic linear

Flow coefficient for Control Valves - Control characteristic equal percentage Kvs-Value in m<sup>3</sup>/h, Cv-Value in gal/min

Type 01343 Control valve																		
Lift in mm	20	20	20	20	20	20	30	30	30	30	30	30	40	40	40	40	40	40
Seat-Ø in mm	15	15	20	20	25	25	32	32	36	36	45	45	62	62	76	76	94	94
Nominal size	Kvs	Cv	Kvs	Cv	Kvs	Cv	Kvs	Cv	Kvs	Cv	Kvs	Cv	Kvs	Cv	Kvs	Cv	Kvs	Cv
DN 15	3.5	4.0																
DN 20			4.0	4.6														
DN 20			6.0	6.9														
DN 25					2.5	2.9												
DN 25					4.5	5.2												
DN 25					6.3	7.3												
DN 25					10.0	11.6												
DN 32							10.0	11.6										
DN 32							14.0	16.2										
DN 40									10.0	11.6								
DN 40									19.0	22.0								
DN 50											10.0	11.6						
DN 50											16.0	18.5						
DN 50											25.0	28.9						
DN 50											30.0	34.7						
DN 65													60.0	69.3				
DN 80															80.0	92.5		
DN 100																	130.0	150.3

Ideal inherent equal percentage characteristic curve acc. to DIN IEC 60534 Part 2-4



Sample drawing cone, control characteristic equal percentage