

Actuated Valves

Type 03343 - Actuated Globe Valve



Cryogenic-Globe Valves with Pneumatic Actuator, PN16

Stainless steel body and topwork

Actuator - air opens, spring closes or contrary

"live loaded" gland packing

"cleaned and degreased for oxygen service" - the actuator is not cleaned and degreased for oxygen

Part No. 03343.X.*014

Flanged connection acc. to DIN EN 1092-1 PN16

Available accessories:

- Solenoid valve
- Limit switch
- Electropneumatic positioner etc.

Available options - on request only:

- Actuator - "cleaned and degreased for oxygen service"
- Electric actuator
- Valve with check disc
- Valve with control disc (tapered design)
- Nominal sizes DN15, DN20 and DN150 with welding-neck flange

Applications:

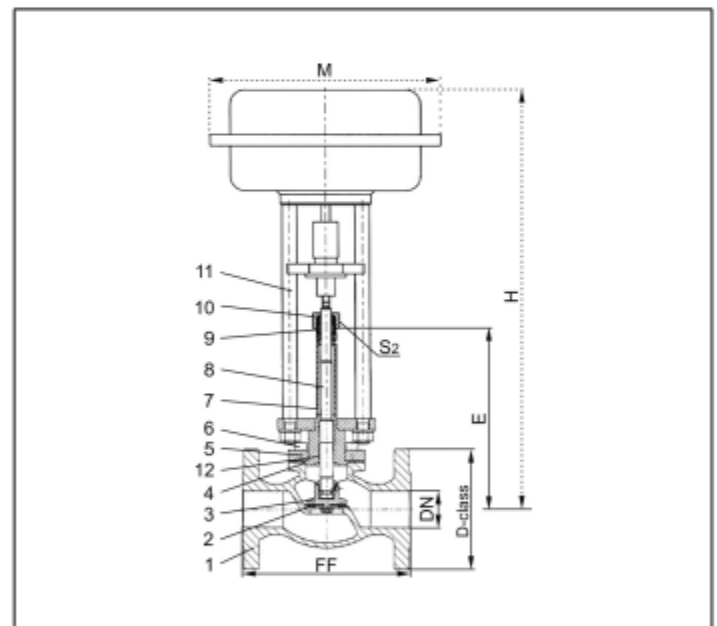
Approved for air gases, vapours and cryogenic liquefied gases incl. LNG.

Working temperature: -196°C / -321°F (77K) up to +120°C / +248°F (393K)



| Materials | DIN EN | ASTM |
|-------------------------|----------------------------|------------------|
| 1 Body | 1.4308 | A 351 CF8 |
| 2 Valve seal up to DN50 | PTFE / Carbon filled (25%) | |
| 2a Valve seal from DN65 | PTFE | |
| 3 Disc | 1.4301 | A 276 Grade 304 |
| 4 Bonnet gasket | PTFE | |
| 5 Headpiece | 1.4301 | A 276 Grade 304 |
| 6 Bolts | 1.4301/A2 | A 194 B8 |
| 7 Elongation tube | 1.4541 | A 213 TP 321 |
| 8 Stem | 1.4301 | A 276 Grade 304 |
| 9 Gland packing | Graphite / PTFE | |
| 10 Gland nut | 1.4305 | A 276 Grade 303 |
| 11 Pillars | 1.4404 | A 276 Grade 316L |
| 12 Bush | CW452K | B 159 UNS C51900 |

Standard marking acc. to Pressure Equipment Directive 97/23/EC (PED).



| Type 03343 - Standard design | Technical data | | | | | | | | | |
|--|-------------------|-----------------------|------|------|------|-------|-------|-------|-------|--|
| | DN | 25 | 40 | 50 | 65 | 80 | 100 | 125 | 150 | |
| Nominal size | DN | 25 | 40 | 50 | 65 | 80 | 100 | 125 | 150 | |
| Dimension code - Flange EN 1092-1 PN40 | .X. | 0250 | 0400 | 0500 | 0650 | 0800 | 1000 | 1250 | 1500 | |
| Flange-Ø | D-PN | 115 | 150 | 165 | 185 | 200 | 235 | 250 | 285 | |
| Face-to-face dimension | FF | 160 | 200 | 230 | 290 | 310 | 350 | 390 | 510 | |
| Height | H | dependent on actuator | | | | | | | | |
| Length | E | 200 | 230 | 235 | 300 | 300 | 300 | 300 | 350 | |
| Actuator-Ø | M | dependent on actuator | | | | | | | | |
| Wrench size across flats | S ₂ | 30 | 36 | 36 | 36 | 36 | 41 | 41 | 41 | |
| Weight w/o actuator | ca. kg | 5.4 | 11.2 | 15.3 | 23.6 | 31.0 | 46.8 | 56.0 | 68.5 | |
| Kvs-Value | m ³ /h | 11.5 | 22.6 | 37.1 | 71.1 | 104.0 | 170.0 | 170.0 | 350.0 | |
| Cv-Value | gal/min | 13.4 | 26.3 | 43.2 | 82.7 | 120.9 | 195.2 | 195.2 | 401.8 | |
| Stroke | mm | 9 | 11 | 15 | 23 | 23 | 30 | 30 | 40 | |

Dimensions in mm.