

# Ball Valves

## Type 15080, Type 15081 - Ball Valve full bore



### Cryogenic-3-Piece-Ball Valve

Stainless steel body and topwork,  
 "live loaded" gland packing  
 "cleaned and degreased for oxygen service"  
 with upstream pressure relief hole  
 Marking acc. to EN 1626

#### Part No. 15080.X.0000

Socket weld connection for stainless steel pipes acc. to ISO 1127

#### Part No. 15081.X.0000

Butt weld connection for stainless steel pipes acc. to ISO 1127



Available options - on request only:

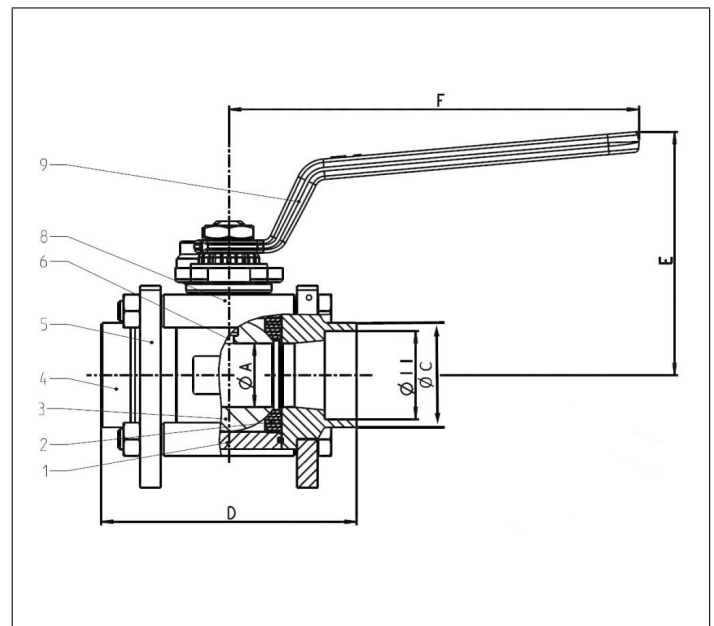
- End connection for pipes acc. to ASTM A312 S10/S40
- Stainless steel lockable handle
- With pneumatic actuator
- ATEX Ex II 2GD

### Applications:

Approved for air gases, vapours and cryogenic liquefied gases.

Working temperature: -50°C / -58°F (223K) up to +190°C / +374°F (463K)

Materials	DIN EN	ASTM
1 Body	1.4409	CF3M (316L)
2 Ball seat	PTFE / Carbon filled (25%)	
3 Ball	1.4409	CF3M (316L)
4 Fitting	1.4404	316L
5 Flange	1.4306	304L
6 Stem	1.4404	316L
8 Gland packing up to DN50	33% C + 2% Gr PTFE	
8a Gland packing from DN65	PTFE	
9 Lever	1.1181	1035



Standard marking acc. to Pressure Equipment Directive 97/23/EC (PED).



Type 15080, 15081	Technical data													
Nominal size	DN	8	12	15	20	25	32	40	50	65	80	100	125	150
Dimension code	.X.	0813	1217	1521	2026	2533	3242	4048	5060	6576	8088	0114	0141	0168
Nominal pressure	PN	100	100	100	100	70	70	50	50	40	40	25	25	16
Face-to-face dimension	D	65	65	70	80	100	110	125	150	180	210	230	260	290
Height	E	70	70	73	91	95	111	116	137	171	182	204	246	270
Outside pipe-Ø ISO 1127	Ø C	13.5	17.2	21.3	26.9	33.7	42.4	48.3	60.3	76.1	88.9	114.3	139.7	168.3
Wall thickness pipe ISO 1127	a	2.0	2.0	2.0	2.0	2.0	2.6	2.6	2.9	2.9	2.9	3.2	3.0	3.0
Pipe diameter SW	Ø I1	14.3	17.8	21.9	27.3	34.0	42.8	48.9	61.3	77.6	89.9	115.5	141.3	171.3
Orifice	Ø A	11.1	11.1	14.0	19.0	25.0	32.0	38.0	50.0	64.0	76.0	100.0	125.0	150.0
Length	F	120	120	120	160	160	190	190	230	370	440	505	710	710
Weight	ca. kg	0.65	0.65	0.81	1.61	2.11	3.32	4.27	8.64	14.89	22.75	34.35	57.12	80.04
Kvs-Value	m <sup>3</sup> /h	6.0	8.0	13.0	26.0	46.0	82.0	120.0	223.0	423.0	617.0	1154.0	1883.0	2844.0
Cv-Value	gal/min	6.9	9.2	15.0	30.0	53.2	94.8	138.7	257.8	489.0	713.3	1334.0	2176.7	3287.6

Dimensions in mm.