

Valves for oil filled transformers

Type 14170

Three-way plug cock in bronze, DIN 42544-B
 with gland packing and square tap,
 with cap and safety catch,
 with T-port and round flanges drilled acc. to DIN PN 10

Part No. 14170.X.LINK
 Standard version, plug position stop left

Part No. 14170.X.RECH
 Plug position stop right

Part No. 55322.0003.0105
 Plug key in bronze for three-way plug cock DN 25

Part No. 55322.0004.0105
 Plug key in bronze for three-way plug cock DN 80

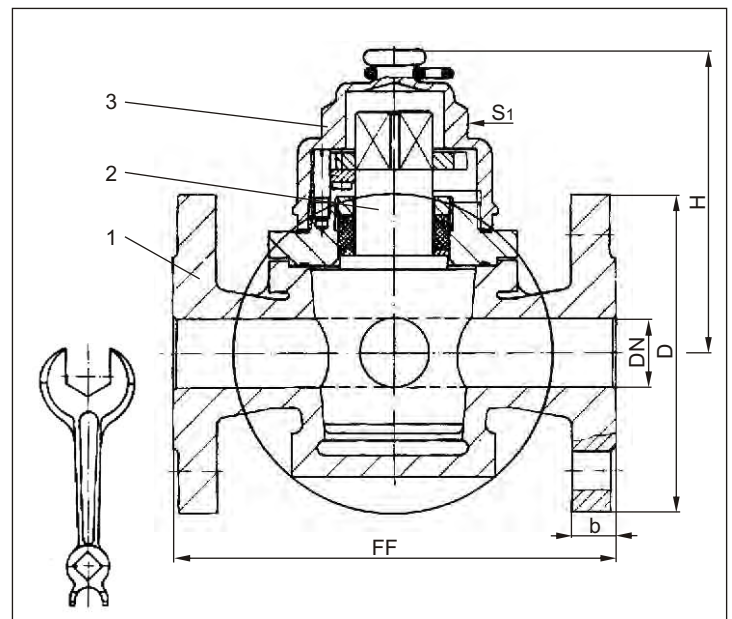


Applications:

Suitable for transformer oil.

Working temperatures: -25°C / -13°F (248K) up to +115°C / +239°F (388K) and maximal 5.0 bar

Materials		DIN EN	ASTM
1	Body	CC491K	B 62 UNS C83600
2	Plug	CC491K	B 62 UNS C83600
3	Cap	CC491K	B 62 UNS C83600



Essential: When ordering or requesting an offer please indicate flow medium, working pressure and working temperature.

Type 14170	Technical data		
Nominal size	DN	25	80
Face-to-face dimension	FF	160	290
Height	H	110	155
Round-Flange-Ø	D	115	220
Width of flange	b	16	20
Wrench size across flats	S ₁	46	71
Weight	ca. kg	7.9	22.0

Dimensions in mm.