

Valves for oil filled transformers

Type 14175

HEROSE



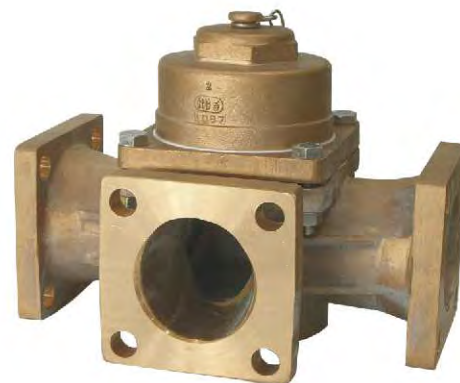
Three-way plug cock in bronze, DIN 42544-C
with gland packing and square tap,
with cap and safety catch,
with T-port and square flanges drilled acc. to $\text{Ø}132 \times 4 \times \text{Ø}18$

Part No. 14175.X.0160

Standard version, plug position stop left

Part No. 55322.0004.0105

Plug key in bronze for three-way plug cock DN 80

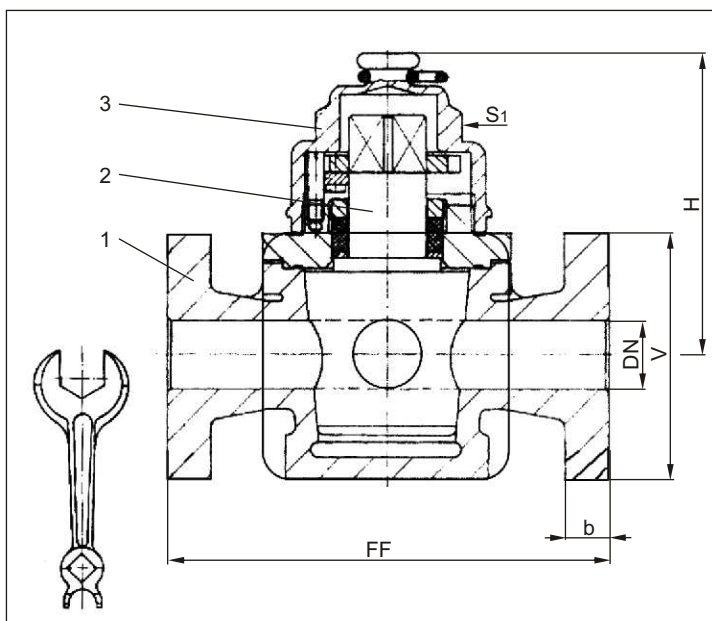


Applications:

Suitable for transformer oil.

Working temperatures: $-25^{\circ}\text{C} / -13^{\circ}\text{F}$ (248K) up to $+115^{\circ}\text{C} / +239^{\circ}\text{F}$ (388K) and maximal 5.0 bar

Materials		DIN EN	ASTM
1	Body	CC491K	B 62 UNS C83600
2	Plug	CC491K	B 62 UNS C83600
3	Cap	CC491K	B 62 UNS C83600



Essential: When ordering or requesting an offer please indicate flow medium, working pressure and working temperature.

Type 14175	Technical data	
Nominal size	DN	80
Face-to-face dimension	FF	290
Height	H	155
Square-Flange- Ø	V	125
Width of flange	b	18
Wrench size across flats	S ₁	71
Weight	ca. kg	22.0

Dimensions in mm.