

Fire Safe and Offshore Valves

Type 01282 - Bellow Sealed Globe Valve



"Fire-safe"-design without fire type-testing according to EN ISO 10497

Cryogenic-Bellow Sealed Globe Valve, PN50

- Stainless steel body and topwork,
- "live loaded" gland packing
- "cleaned and degreased for oxygen service"

Part No. 01282.X.002*

* Butt weld connection for stainless steel pipes acc. to ISO 1127 or ASTM A312

Part No. 01282.X.0024

Socket weld connection for stainless steel pipes acc. to ISO 1127 or ASTM A312

Available options - on request only:

- Welded stainless steel stubs acc. to ISO 1127 or ASTM A312 - length FF + 200mm
- Extension H up to 900mm



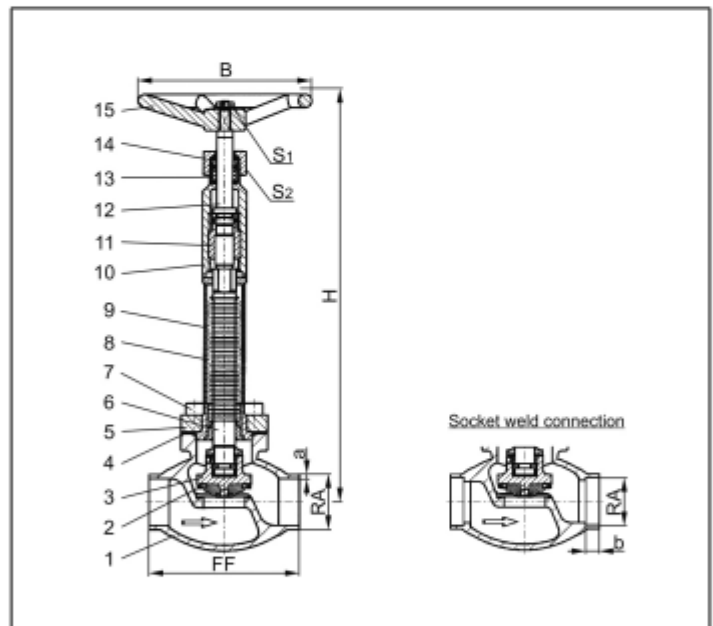
Applications:

Suitable for hydrogen, approved for air gases, vapours and cryogenic liquefied gases incl. LNG.

Working temperature: -255°C / -427°F (18K) up to +120°C / +248°F (393K)

Leak rate: 10^{-6} mbar ltr / sec outside, 10^{-4} mbar ltr / sec seat

Materials	DIN EN	ASTM
1 Body	1.4409	A 351 CF3M
2 Valve seal	PTFE / carbon filled (25%)	
3 Disc	1.4404	A 276 Grade 316L
4 Bonnet gasket	Graphite	
5 Headpiece	1.4404	A 276 Grade 316L
6 Bellow stem	1.4571	A 313 Grade 316Ti
7 Bolts	1.4571/A4	similar A 194 B8T
8 Bellow	1.4571	A 313 Grade 316Ti
9 Elongation tube	1.4571	A 313 Grade 316Ti
10 Headpiece	1.4404	A 276 Grade 316L
11 Bush	CW452K	B 159 UNS C51900
12 Stem	1.4404	A 276 Grade 316L
13 Gland packing	Graphite / PTFE / MICA	
14 Gland nut	1.4404	A 276 Grade 316L
15 Handwheel	Aluminium alloy	



Standard marking acc. to Pressure Equipment Directive 97/23/EC (PED).



Type 01282 - Standard design	Technical data									
Nominal size	DN	10	15	15	20	25	32	40	40	50
Dimension code	.X.	1012	1517	1521	2026	2533	3238	4042	4048	5060
Face-to-face dimension	FF	70	85	85	100	115	115	130	130	155
Height	H	380	380	380	380	380	380	380	380	380
Outside pipe-Ø ISO 1127	RA	12.0	17.2	21.3	26.9	33.7	38.0	42.4	48.3	60.3
Wall thickness pipe ISO 1127	a	1.0	1.6	2.0	2.0	2.0	2.0	2.0	2.0	2.0
Outside pipe-Ø ASTM A312	RA	13.72	17.15	21.34	26.67	33.40	-	42.16	48.26	60.33
Wall thickness pipe ASTM A312	a	dimensions acc. to S10 or S40								
Socket depth	b	6	10	10	13	13	-	13	13	16
Handwheel-Ø	B	150	150	150	150	150	150	150	150	150
Wrench size across flats	S ₁	10	10	10	10	10	13	13	13	13
Wrench size across flats	S ₂	30	30	30	30	30	36	36	36	36
Weight	ca. kg	1.6	1.85	1.9	2.3	2.7	3.6	5.1	5.1	7.7
Kvs-Value	m ³ /h	1.6	2.8	4.3	6.7	11.5	14.0	20.6	22.6	37.1
Cv-Value	gal/min	1.9	3.3	5.0	7.8	13.4	16.2	26.3	26.3	43.2

Dimensions in mm.