

Overflow Valves

Type 50051.0012



Overflow valve, angle type, brass

Overflow valve
with EPDM valve seal for vapours and gases,
closed bonnet,
Inlet: male thread type G (BSPP) acc. to ISO 228/1
Outlet: female thread type G (BSPP) acc. to ISO 228/1

Part No. 50051.0012.0000

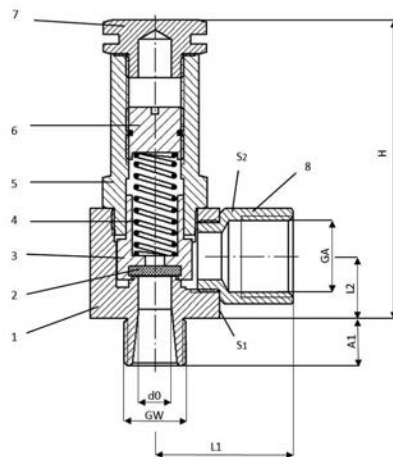


Applications:

Provided as overflow valve for protection against excessive pressure in pipe systems and pressure vessels, which are not subject to approval.

Working temperature: -10°C / +14°F (263K) up to +65°C / +149°F (338K)

Materials	DIN EN	ASTM
1 Body	CW614N	B 249 UNS C38500
2 Valve seal	EPDM	
3 Disc	CW614N	B 249 UNS C38500
4 Spring	1.1200	A 227
5 Bonnet	CW614N	B 249 UNS C38500
6 Adjusting screw	CW614N	B 249 UNS C38500
7 Plug	CW614N	B 249 UNS C38500
8 Adapter 3/8"	CW614N	B 249 UNS C38500



Essential: Valves are delivered at a set pressure, therefore when ordering please confirm set pressure, medium and temperature.

Not to use as equipment with safety function acc. to Pressure Equipment Directive 97/23/EC (PED) (No CE marking).

Typ 50051.0012	Technical Data	
Nominal size	GW	1/4
Orifice	d_0	7
Set pressure range	bar	0.7-2.0
Outlet	GA	3/8
Height	H	62
Length	L_1	28.5
Length	L_2	13
Length	A_1	10
Wrench size across flats	S_1	27
Wrench size across flats	S_2	19
Weight	ca. kg	0.16

Abmessungen in mm.

Overflow Valves

Type 50051.0012



Discharge capacities

Calculation of mass flow acc. to AD2000-Merkblatt A2

Medium:

Air in m³/h at 0°C and 1013.25 mbar

Saturated steam in kg/h at 20°C

The capacity indicated below is for a fully opened valve.

d_0 - orifice

A_0 - flow area

Set pressure in bar (g)	GW	1/4
	d_0 (mm)	7.0
	A_0 (mm ²)	38.48
	Medium	Luft
0.7		7.0
0.8		7.7
0.9		8.1
1.0		8.7
1.1		9.4
1.2		9.9
1.3		10.4
1.4		11.0
1.5		11.3
1.6		11.8
1.7		12.1
1.8		12.5
1.9		12.9
2.0		13.2