

# Gate Valves

## Type 09420



### Flanged Gate Valves, PN16, DIN EN 12288

Bronze body, screwed topwork in brass  
with maintenance-free gland packing (O-Ring)  
and non rising stem  
flanged connection acc. to DIN EN 1092-3, PN16

#### Part No. 09420.X.10D003

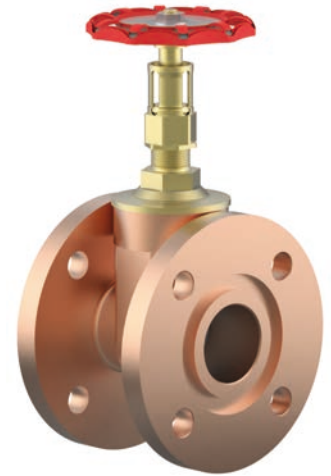
· Valve with opening indicator, flat flange with groove on both flanges

#### Part No. 09420.X.11D003

· Valve with opening indicator, flat flange with groove on both flanges and locking device without lock

#### Part No. 09420.X.12D003

· Valve with opening indicator, flat flange with groove on both flanges and locking device with lock



### Applications:

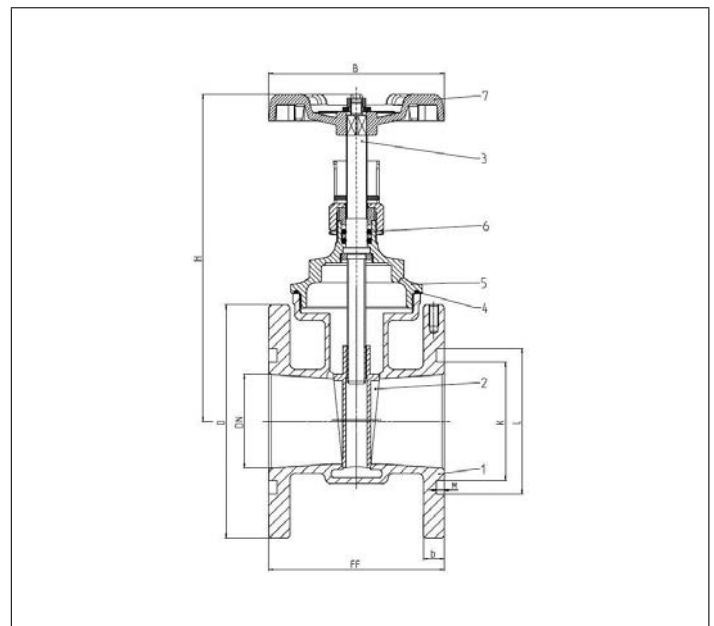
Suitable for transformer oil

Working temperatures: -25°C / -13°F (248K) up to +120°C / +248°F (393K) and maximum 6.0 bar.

Materials	DIN EN	ASTM
1 Body	CC491K	B 62 UNS C83600
2 Wedge	CC491K	B 62 UNS C83600
3 Stem	CW614N	B 455 UNS C38500
4 Bonnet gasket	Klingsiel C-4400	
5 Headpiece	CW614N	B 455 UNS C38500
6 O-Rings	FPM (Viton)	
7 Handwheel	Aluminium - diecasting	

**Essential:** When ordering or requesting an offer please indicate flow medium, working pressure and working temperature.

Standard marking acc. to Pressure Equipment Directive 97/23/EC (PED).



Type 09420	Technical data				
Nominal size	DN	25	40	50	80
Dimension code	.X.	0250	0400	0500	0800
Face-to-face dimension	FF	80	100	110	150
Height	H	138	169	208	281
Flange diameter	D	115	150	165	200
Inner diameter of the groove	K	44	61	69	101
Outer diameter of the groove	L	65	82	90	125
Groove depth	M	6	6	6	7
Width of flange	b	12	14	16	18
Handwheel-Ø	B	70	80	110	150
Wrench size across flats	S <sub>2</sub>	8	9	11	14
Weight	approx. kg	2.6	4.8	6.5	12.1

Dimensions in mm.