

Safety Valves

Type 06317



Safety Valves, angle type, stainless steel,
type tested, TÜV-SV.847. D/G/F (G 3/8 - G 1/2, $d_0 = 6.0$ only D/G)
type tested, TÜV-SV.878. D/G/F (G 3/4 - G 1-1/4)

metal to metal seated, closed bonnet
Inlet: male thread type G (BSPP) acc. to ISO 228/1
Outlet: female thread type G (BSPP) acc. to ISO 228/1

Part No. 06317.X.0000
with lifting device - head A

Part No. 06317.X.0020
with gastight cap - head C

Available options - on request only:
· Disc with soft sealing (EPDM, FKM, PTFE)



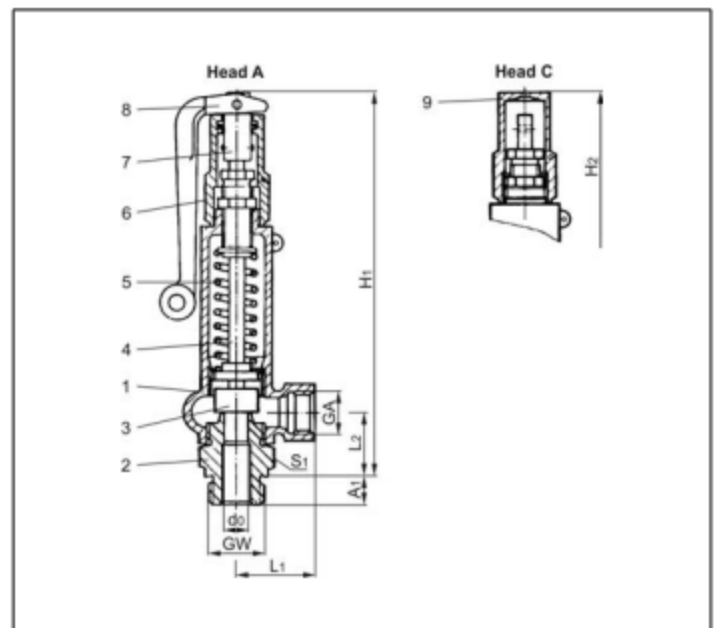
Applications:

Provided as safety device for protection against excessive pressure
in pressure vessels. Approved for gases, vapours and fluids.
Working temperature: $-60^{\circ}\text{C} / -76^{\circ}\text{F}$ (213K) up to $+280^{\circ}\text{C} / +536^{\circ}\text{F}$ (553K)

Materials	DIN EN	ASME/ASTM
1 Body + bonnet	1.4581	A 351 CF 10MC
2 Inlet body	1.4571	A 276 Grade 316Ti
3 Disc	1.4571	A 276 Grade 316Ti
4 Stem	1.4571	A 276 Grade 316Ti
5 Spring	1.4310	A 313 Grade 301
6 Lifting cap	1.4581	A 351 CF 10MC
7 Lifting stem	1.4305	A 276 Grade 303
8 Lever	3.2581	no reference
9 Cap	1.4581	A 351 CF 10MC

Essential: Valves are delivered at a set pressure,
therefore when ordering please confirm set
pressure, medium and temperature.

Standard marking acc. to Pressure Equipment
Directive 97/23/EC (PED).



Type 06317	Technical data											
Nominal size	GW	3/8	1/2	1/2	1/2	1/2	3/4	3/4	1	1	1-1/4	1-1/4
Orifice	d_0	10	6	8	10	12.5	12.5	16	12.5	16	16	20
Dimension code	.X.	1003	0604	0804	1004	1204	1206	1606	1210	1610	1612	2012
Set pressure range	bar	0.1-140	120-500	20-200	0.1-140	0.1-70	32-70	0.1-32	32-70	0.1-32	0.1-32	0.1-20
Outlet	GA	1/2	3/4	1/2	1/2	1/2	1	1	1	1	1	1
Height	H_1	200	200	200	200	200	230	230	230	230	230	230
Height	H_2	185	185	185	185	185	215	215	215	215	215	215
Length	L_1	40	40	40	40	40	50	50	50	50	50	50
Length	L_2	34	34	34	34	34	40	40	40	40	40	40
Length	A_1	12	14	12	14	14	16	16	18	18	20	20
Wrench size across flats	S_1	32	32	32	32	32	41	41	41	41	50	50
Weight	ca. kg	1.0	1.0	1.0	1.0	1.0	1.6	1.6	1.6	1.6	1.8	1.8
Coeff. of discharge gases, vapours	α_w	0.38	0.42	0.42	0.38	0.27	0.37	0.29	0.37	0.29	0.29	0.11
Coeff. of discharge fluids	α_w	0.30	-	0.30	0.30	0.20	0.29	0.23	0.29	0.23	0.23	0.08

Dimensions in mm.