

COPYRIGHT IN THIS DRAWING IS THE PROPERTY OF SEETRU LIMITED AND THE DRAWING IS LENT WITHOUT CONSIDERATION OTHER THAN THE BORROWERS AGREEMENT THAT IT WAS NOT TO BE REPRODUCED, COPIED, LENT OR DISPOSED OF, OR THE INFORMATION THEREON CONTAINED IMPARTED TO THIRD PARTIES, DIRECTLY OR INDIRECTLY, NOR USED FOR ANY PURPOSE OTHER THAN THAT FOR WHICH IT WAS SPECIFICALLY FURNISHED WITHOUT WRITTEN CONSENT OF SEETRU LIMITED © SEETRU 2005.

ITEM No.	No. OFF	NAME	MATL OR PART No.	
1	1	BODY	BRASS BS2874 CZ132	V0310412
2	1	ADJUSTER	BRASS BS2874 CZ132	V0710211
3	1	PLUNGER	BRASS BS2874 CZ132	V0410145
4	1	NAMEPLATE	ALUMINIUM ALLOY	V1210476
5	1	SPRING	ST.STL.	SEE TABLE
6	1	DISC SEAL	SILICONE	V1410943
7	1	PULL RING	ST.STL.	V1210454
8	1	LOCKING SLUG	NYLON	V1210057

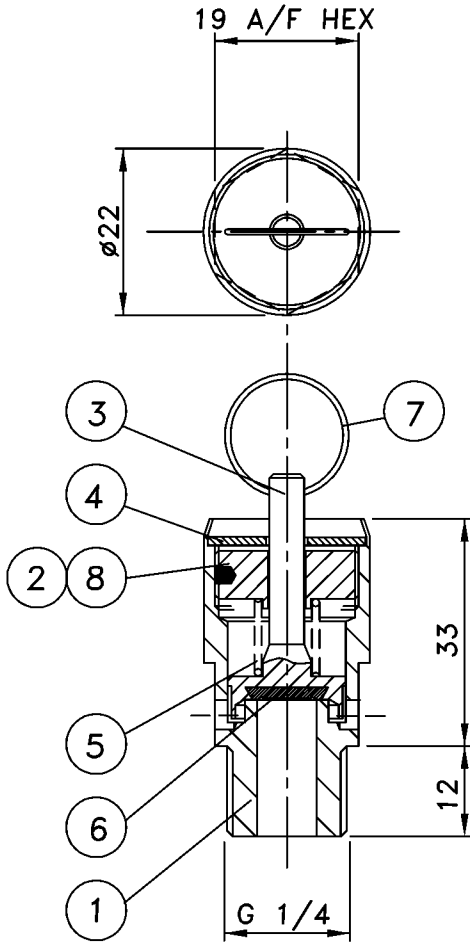


TABLE 1

PRESSURE RANGE BAR.G.	SPRING
0.27 - 0.4	V1310041
0.4 - 0.9	V1310235
0.9 - 1.4	V1310042
1.4 - 3.25	V1310735
3.25 - 4.0	V1310736

COLD SET PRESSURE SET 0.07 BAR.G HIGHER THAN REQUIRED SET PRESSURE.

CASTINGS  $\pm 1/32"$  OR 0.8MM MACHINE AT  $\checkmark$  LIMITS UNLESS STATED  $\pm 0.10"$  OR 0.25MM

**SEETRU LTD.**  
ALBION DOCKSIDE WORKS,  
HANOVER PLACE, BRISTOL BS1 6UT  
ENGLAND

TITLE  
**MINI VALVE**  
- CRIMPED RING PULL -

MATL SEE L.O.P

FINISH

DRAWN RNW

DATE 21.01.03

SCALE 1:1

2 09.05.03 ITEM 8, V1210057, ADDED. 4516

ISSUE DATE MODIFICATION MOD. No.

DRG No.

**319000276**

U/O STANDARD VALVE  
75082014

ISSUE

**2**