

Pressure Reducing Valves

Type 08010



Pressure Reducing Valves

Bronze body, with balanced seat, disc with NBR seal, pressure gauge connection G1/4, inlet pressure: up to max. 25.0 bar, outlet pressure: 1.5 up to 8.0 bar, greatest reducing ratio: 10 : 1

Part No. 08010.X.0000

Female thread connection (G) acc. to ISO 7-1 Rp



Picture:
Accessory pressure gauge - not included with valve

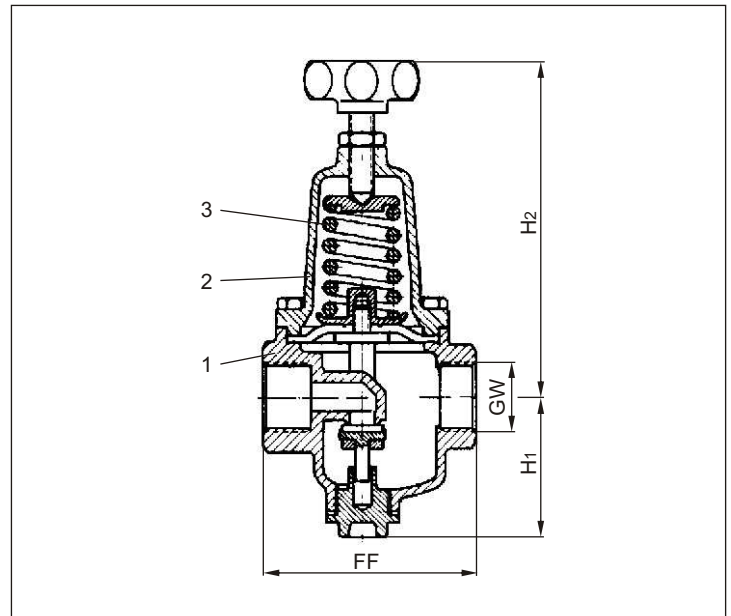
Applications:

Suitable for compressed air, nitrogen and similar non-inflammable, non-toxic gases.
Working temperature: -10°C / +14°F (263K) up to +75°C / +167°F (348K)

Materials	DIN EN	ASTM
1 Body	CC491K	B 62 UNS C83600
2 Bonnet (GW 1/4 – 1)	CW614N	B 283 UNS C38500
2 Bonnet (GW 1-1/4 – 2)	0.6025	A 48-83 Gr. 35B
3 Spring	1.1200	A 576 Grade 1045

Essential: When ordering or requesting an offer please indicate flow medium, working pressure and working temperature.

Standard marking acc. to Pressure Equipment Directive 97/23/EC (PED).



Type 08010	Technical data								
Nominal size	GW	1/4	3/8	1/2	3/4	1	1-1/4	1-1/2	2
Dimension code	.X.	0200	0300	0400	0600	1000	1200	1400	2000
Face-to-face dimension	FF	70	70	85	85	95	104	108	147
Height	H ₁	48	48	48	48	55	61	61	64
Height	H ₂	110	110	120	120	155	200	200	260
Weight	ca. kg	0.85	0.85	1.10	1.10	1.60	3.60	3.65	7.00

Dimensions in mm.