

Actuated Valves

Type 01314 - Actuated Globe Valve



Cryogenic-Globe Valves with Pneumatic Actuator, PN50

Bronze body and stainless steel topwork (internal parts bronze)

Actuator - air opens, spring closes or contrary

"live loaded" gland packing

"cleaned and degreased for oxygen service" - the actuator is not cleaned and degreased for oxygen

Part No. 01314.X.*011

Female thread connection (G) acc. to ISO 228/1

Part No. 01314.X.*016

Female thread connection NPT acc. to ANSI B 1.20.1

Available accessories:

- Solenoid valve
- Limit switch
- Electropneumatic positioner etc.

Available options - on request only:

- Actuator "cleaned and degreased for oxygen service"
- Electric actuator · Valve with check disc

Applications:

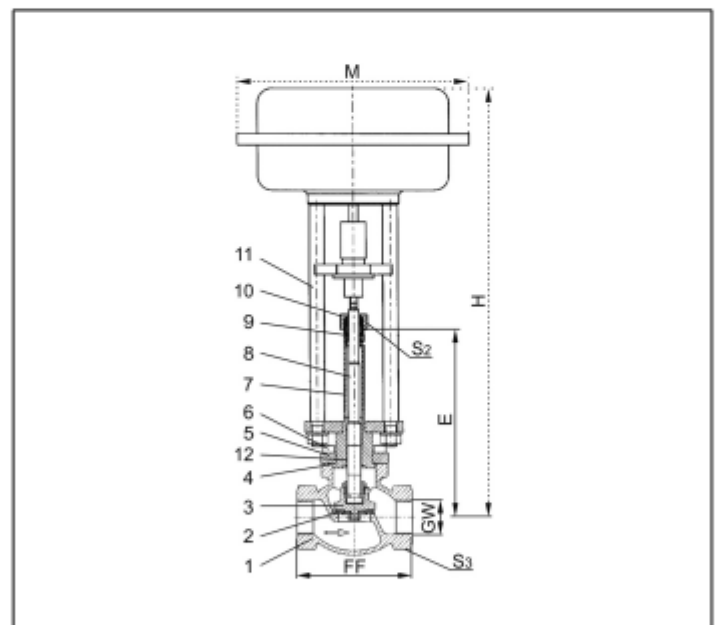
Approved for air gases, vapours and cryogenic liquefied gases incl. LNG.

Working temperature: -196°C / -321°F (77K) up to +120°C / +248°F (393K)



Materials	DIN EN	ASTM
1 Body	CC491K	B 62 UNS C83600
2 Valve seal	PTFE / Carbon filled (25%)	
3 Disc	CW614N	B 283 UNS C38500
4 Bonnet gasket	PTFE	
5 Headpiece	1.4301	A 276 Grade 304
6 Bolts	1.4301/A2	A 194 B8
7 Elongation tube	1.4541	A 213 TP 321
8 Stem	1.4301	A 276 Grade 304
9 Gland packing	Graphite / PTFE	
10 Gland nut	CW614N	B 283 UNS C38500
11 Pillars	1.4404	A 276 Grade 316L
12 Bush	CW452K	B 159 UNS C51900

Standard marking acc. to Pressure Equipment Directive 97/23/EC (PED).



Type 01314 - Standard design	Technical data								
Nominal size	DN	10	10	15	20	25	32	40	50
Thread size	GW	1/4	3/8	1/2	3/4	1	1-1/4	1-1/2	2
Dimension code	.X.	0200	0300	0400	0600	1000	1200	1400	2000
Face-to-face dimension	FF	60	60	85	85	115	115	140	160
Height	H	dependent on actuator							
Length	E	195	195	195	200	200	230	230	235
Actuator-Ø	M	dependent on actuator							
Wrench size across flats	S ₂	30	30	30	30	30	36	36	36
Wrench size across flats	S ₃	rund	rund	30	36	41	rund	60	75
Weight w/o actuator	ca. kg	1.6	1.6	2.3	2.7	3.1	4.3	6.2	9.2
Kvs-Value	m ³ /h	1.6	2.2	4.3	6.7	11.5	12.1	22.6	37.1
Cv-Value	gal/min	1.9	2.6	5.0	7.8	13.4	14.1	26.3	43.2

Dimensions in mm.