

Actuated Valves

Type 27514 - Pneumatic Actuator - Globe Valve (on/off)



Pneumatic Actuators for Globe Valves (on/off)

Actuator - air to open, **spring to close**

maximum air pressure for operation 6.0 bar

Actuator coating: Delta Seal GZ (silver-grey)

Corrosion-protection class C5-M acc. to DIN EN ISO 12944

Available options - on request only:

· Pneumatic actuator with override handwheel

Ambient temperature limit: -40°C / -40°F (233K) up to +100°C / 212°F (373K)



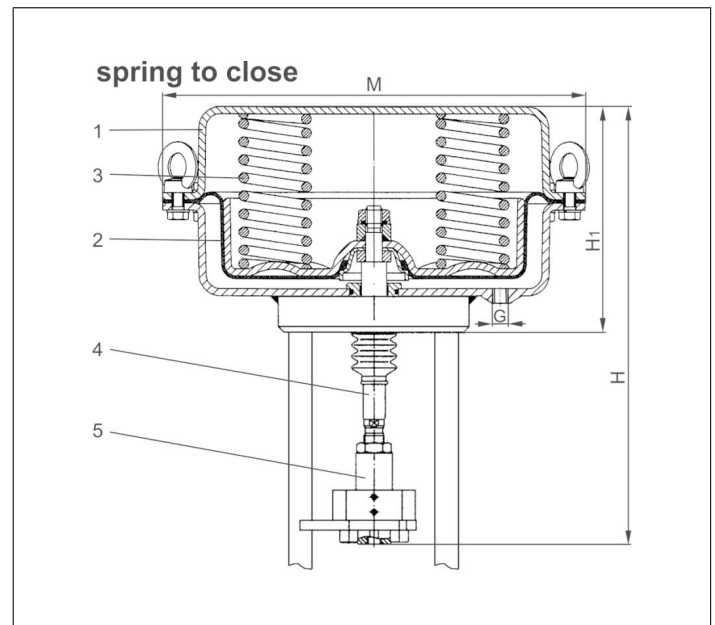
Overview - required actuator sizes for differential pressures

Valve size	Differential pressure in bar											
	6	10	12	14	18	26	29	33	37	45	48	50
DN 10	A	A	A	A	A	A	A	A	A	A	A	A
DN 15	A	A	A	A	A	A	A	A	A	A	A	A
DN 20	A	A	A	A	A	A	A	A	A	A	A	A
DN 25	A	A	A	A	A	A	A	A	A	A	A	A
DN 32	A	A	A	A	A	A	A	A	A	B	B	B
DN 40	A	A	A	A	A	A	B	B	B	B	C	C
DN 50	A	A	A	A	B	B	C	C	C	C	C	C
DN 65	C	C	C	C	C	C	C	D	D	D	E	E
DN 80	C	C	C	C	D	D	D	D	E	E	E	E
DN 100	C	C	D	D	D	E	E	E	F	F	F	F
DN 150	D	E	E	F	F							

o.r. - on request

Code in Table	Part No.	Actuator
A	27514.DP32.2008	
B	27514.DP32.2020	
C	27514.DP33.3020	
D	27514.DP34.5015	
E	27514.DP34.5020	
F	27514.DP34.T0PO	(Tandem - Actuator)

Materials	DIN EN	ASTM
1 Body	1.0335	A 622 Grade 1008
2 Diaphragm	NBR + tissue	
3 Springs	1.4310	A 313 Grade 302
4 Actuator stem	1.4571	A 276 Grade 316Ti
5 Coupling	1.4571	A 276 Grade 316Ti



Type 27514 Part No. Actuator	Technical data						
	27514						
		.DP32.2008	.DP32.2020	.DP33.3020	.DP34.5015	.DP34.5020	.DP34.5020 (Tandem)
Diameter Actuator	M	250	250	300	405	405	405
Height	H	ca. 240	ca. 240	ca. 300	ca. 375	ca. 375	ca. 635
Height	H1	124	124	166	228	228	450
Thread	G	G 1/4"	G 1/4"	G 1/4"	G 3/8"	G 3/8"	G 3/8"
Diaphragm area	cm ²	250	250	400	800	800	1600 (2x800)
Spring rage	bar	0.8 - 2.4	2.0 - 3.8	2.0 - 4.0	1.5 - 3.0	2.0 - 4.0	2.0 - 4.0
Regulating lift	mm	20	20	30	50	50	50
Weight	ca. kg	9.0	9.0	15.0	45.0	45.0	116.0

Dimensions in mm.