

Cryogenic Bronze Ball Valve

Reduced Bore

DN15 - DN50

Description

A Bronze three-piece ball valve designed specifically for cryogenic applications. Available with socket weld and butt weld ends.

All valves are degreased for oxygen duty, assembled in clean room conditions, and sealed in robust polythene bags prior to despatch.

(Image shown is Stainless Steel Ball Valve)

Maximum Working Pressure (MWP)

(Subject to End Connections)

50bar (725 psi) at -196°C to +65°C

Features

- Spring loaded gland seal giving low torque levels under both ambient and cryogenic conditions
- Precision investment cast body – smooth surface finish
- One piece, anti blow-out stem.
- Relief hole to prevent trapping of liquefied gases.
- Designed to prevent incorrect, and hence dangerous, re-assembly after stripping for maintenance.
- Removable centre section designed to industry standard dimensions, allowing interchangeability in existing installations.
- Suitable for retro fitting of electric, or pneumatic actuators. Valves can be supplied with actuators fitted allowing fast, remote automatic operation
- Fast easy maintenance of PTFE components



Technical

Manual operated ball valves size range DN15, DN25, DN40 and DN50 reduced bore.

Actuated valves available.

Designed and engineered for use with O₂, N₂, Ar, CO₂, He, Kr, Ne, H₂, C₂H₄ and N₂O service.

ISO 9001 accreditation – design and manufacture to ASTM B31.1 and BSEN 1626

Optional full material traceability backed by BSEN 10204 3.1/3.2 certification

CE Marking according to Pressure Equipment Directive 97/23/EC.

π Marking to Directive 99/36/EC only on written request complete with purchase order.

For other options please contact us.



Cryogenic Bronze Ball Valve

DN15 - DN50



Materials

Body

End Adaptors

Gland Housing

Lever

Extension Tube ASTM A269 304L

Stem ASTM A276 316

Ball Stainless

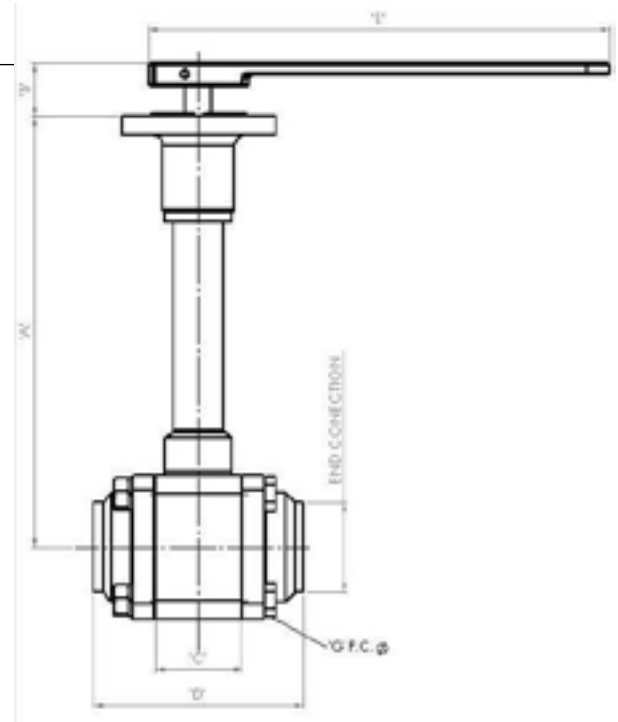
Retainer

Gland Follower

Seal to Ball PTFE

Packings PTFE

Fasteners S



Valve Selection Data

There are two steps to selecting the complete part number for a valve;

1. First select the part number for the valve size from the Specifications section below, " CZFR -- +"
2. Then select the end connection code from the table below

Example: 25mm reduced bore ball valve with BW SCH.10 connections. Complete part number = CZFR50SB1E4500

Example: 25mm reduced bore ball valve with BW SCH.10 connections. Complete part number = CZFR50SB1E4500

	End connection
BW SCH.10	SB1E4500
SOCKET WELD	SSNE4500

Specifications

Dimension Part No	Valve Size		Reduced bore size		Dimension							Torque		CV USGPM
	mm	in	mm	in	A	B	C	D	E	F	P.C.D	Nm	lbft	
					mm	mm	mm	mm	mm	mm	mm			
CZFR30+	15	½	11	7/16	230	62.0	20.6	66.0	170.0	90.0	45	9.5	7.0	9
CZFR50+	25	1	20	¾	230	32.0	31.7	96.0	170.0	-	63	23.0	17.0	30
CZFR70+	40	1 ½	32	1 ¼	230	71.0	48.4	116.0	170.0	-	80.8	40.0	30.0	90
CFFR80+	50	2	37	1 ½	230	76.0	56.4	128.0	170.0	-	95	62.0	46.0	138

All dimensions / weights are approximate

CRYONICA
 Tel: +7 (3412) 320-597
 WWW: predklapan.ru

-mail: info@predklapan.ru
 Skype: predklapan